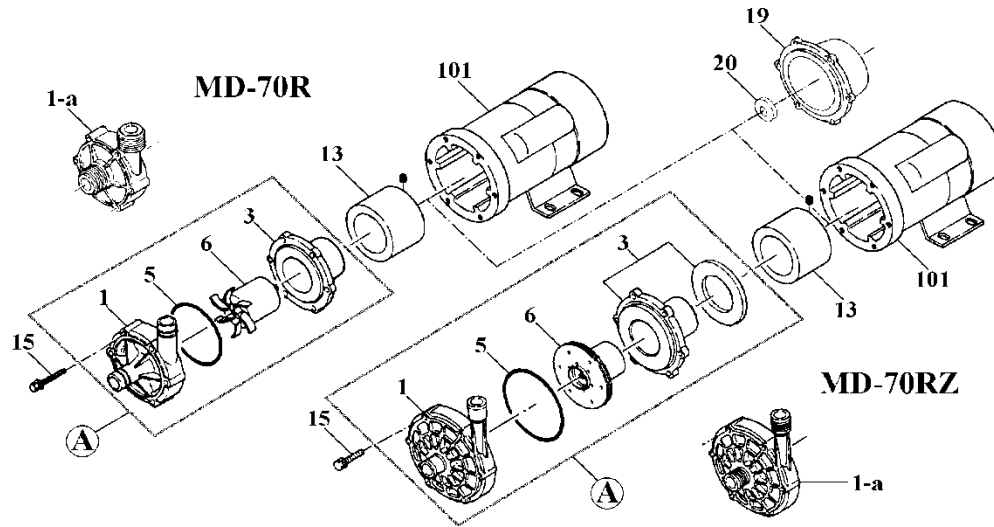




MD-70R EXPLODED
VIEW PARTS LIST

IALT00269.A1

March 2024



Item	Description		Qty	Material	MD-70R	MD-70RZ	
					Part No.	Part No.	
*	1	Front Casing (+Bearing) Unit	1	GFRPP+PTFE	MD0124		
			1	GFRPP+PPS		MD0824	
*	1-a	Front Casing 'T' (+Bearing) Unit	1	GFRPP+PTFE	MD0361		
			1	GFRPP+PPS		MD0843	
*	1-a	Front Casing 'M' (+Bearing) Unit	1	GFRPP+PTFE	MD0125		
			1	GFRPP+PPS		MD0827	
**	3	Rear Casing (+Bearing) Unit	1	GFRPP+PTFE	MD0130		
		" " " + Retainer Ring "	1	GFRPP+PPS+SUS304		MD0825	
	5	O-Ring	AS568-242	1	FKM	MD0107	←
				1	EPDM	MD0409	←
	6	Impeller (+Thrust+Spindle) Unit		1	GFRPP+CE+Ferrite	MD0128	
				1	CFRPP+CE+Ferrite		MD0521
	13	Drive Magnet Unit (Ø11,5mm)	1	Aluminum+Ferrite	MD0131	←	
*	*13	Drive Magnet Unit for IEC Motor (Ø11,0mm)	1		MD0637	←	
	15	Bolt+S.W.+P.W.	M5x40	6	SUS304 equivalent	MD0377	←
		Motor [AC115V] 1-Phase		1		1000602400	MD0598
	101	Motor [AC220/240V] 1-Phase		1		1000583100	MD0595
		Motor [AC400/440V] 3-Phase		1		MD0329	MD0597
	*19	Bracket for IEC Motor		1	FC200	MD0638	←
	*20	Spacer for IEC Motor		1	Aluminium	MD0636	←
**	A	Wet End Set		1	with FKM	L-MD-70RE	L-MD-70RZ
**				1	with EPDM	L-MD-70RE	L-MD-70RZE
**	A	Wet End Set, 'T' Type		1	with FKM	L-MD-70RT	L-MD-70RZT
**				1	with EPDM	L-MD-70RTE	L-MD-70RZTE
**	A	Wet End Set, 'M' Type		1	with FKM	L-MD-70RM	L-MD-70RZM
**				1	with EPDM	L-MD-70RME	L-MD-70RZME

Note: Items marked with * are required to fit an IEC Motor.

Subject to change without notice. Actual pump may differ from exploded view.