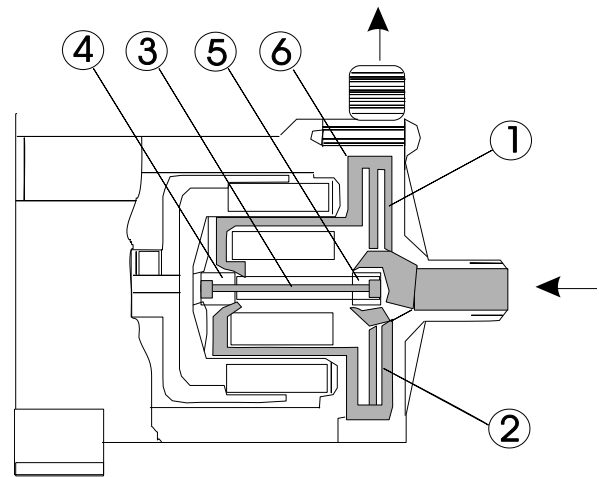
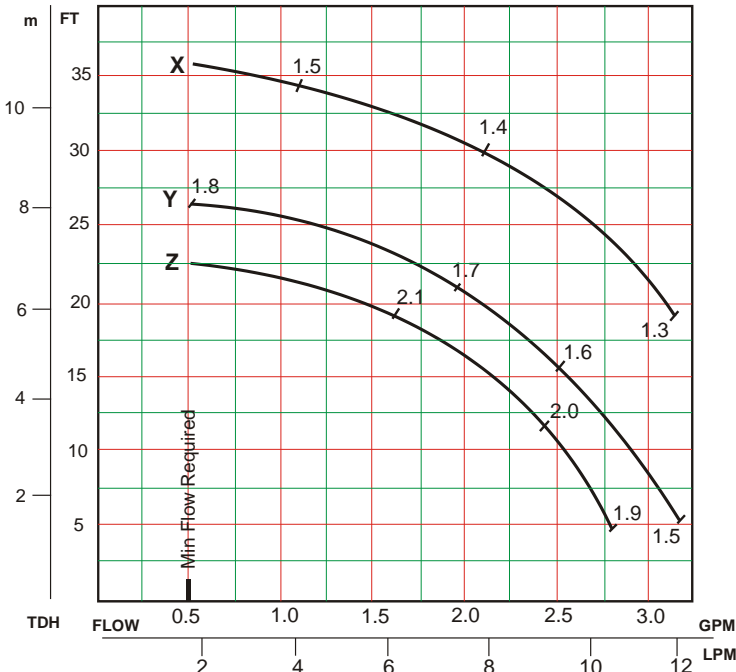


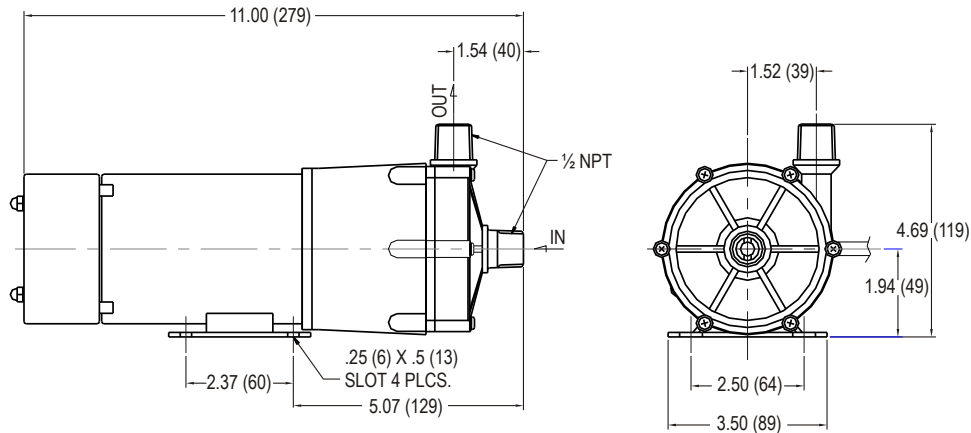
# WMD-30F

- Twin bearing system handles thrust loads, extends service life
- Hollow rotating / Internal cooling circuit reduces bearing temperature
- Compact / Quiet energy efficient design
- Few moving parts for easy maintenance



| Part          | Material |
|---------------|----------|
| 1 Casing      | CRFETFE  |
| 2 Impeller    |          |
| 3 Spindle     | SiC      |
| 4 Bearing     | SiC      |
| 5 Thrust Ring | SiC      |
| 6 O-ring      | FKM      |

### Dimensions in inches (mm)



### Specifications

| Model      | CONNECTIONS |      | MOTOR       |             | AMPS 115V | MAX FLOW GPM | MAX HEAD FT | MAX SYS PRESSURE PSI | S.G.      | WEIGHT LBS |
|------------|-------------|------|-------------|-------------|-----------|--------------|-------------|----------------------|-----------|------------|
|            | HOSE        | NPTM | OUTPUT (HP) | SPEED (RPM) |           |              |             |                      |           |            |
| (W)MD-30FX | ----        | 1/2  | 1/16        | 3200        | 0.9       | 3.2          | 35.2        | 17.0                 | 1.3 (1.5) | 9          |
| (W)MD-30FY | ----        | 1/2  | 1/16        | 3200        | 0.9       | 3.2          | 26.0        | 17.0                 | 1.5 (1.8) | 9          |
| (W)MD-30FZ | ----        | 1/2  | 1/16        | 3200        | 0.9       | 2.6          | 24.0        | 21.3                 | 1.9 (2.1) | 9          |