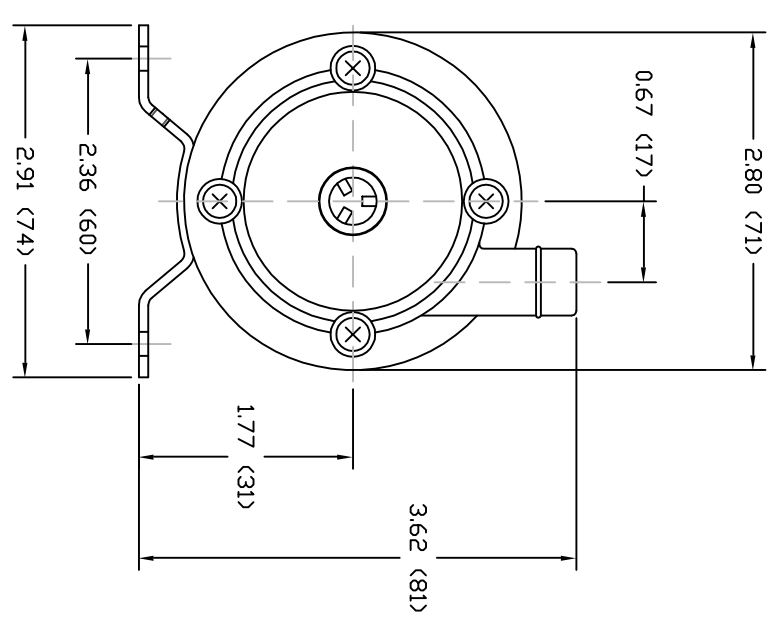
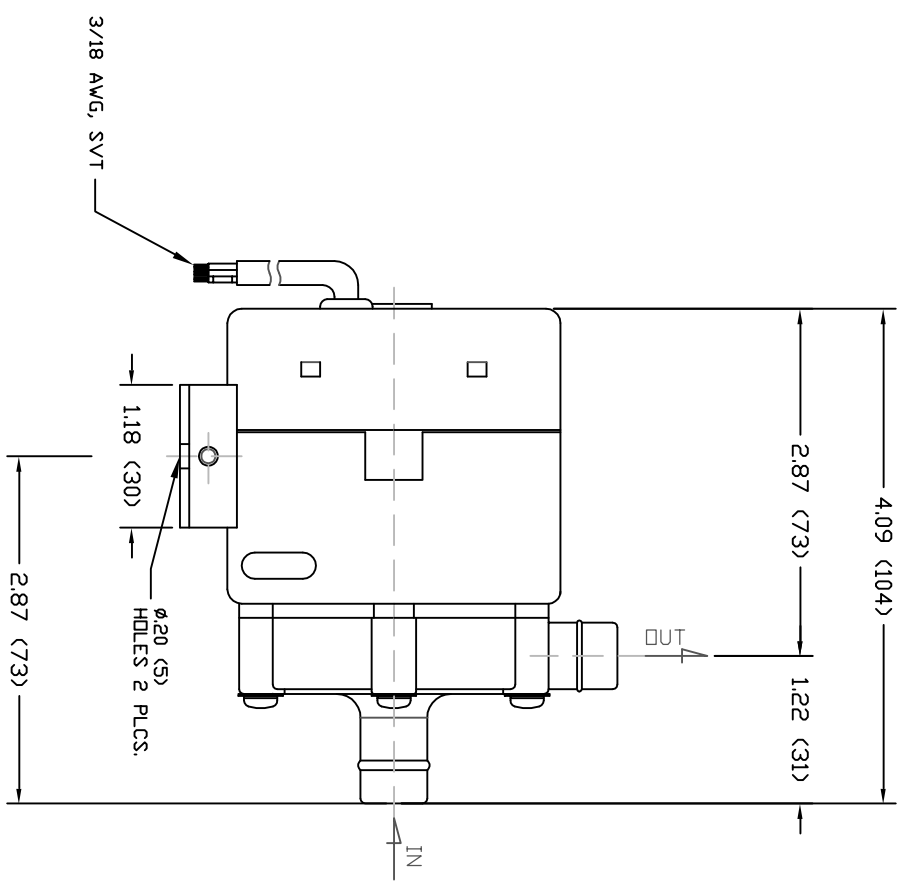


PART OR DRAWING NO. IF20563 REV. A



- NOTES:
1. DRAWING MAY VARY FROM ACTUAL PRODUCT.
 2. REFER TO SPECIFICATIONS C910651 AND C910655.
 3. DRAWN FROM Z2000344 TO SCALE.
 4. DIMENSIONS ARE IN INCHES (MM).

	SPECIFICATIONS-6L	SPECIFICATIONS-10L
MAX CAPACITY	2.3 GPM (8.7 LPM)	3.1 GPM (11.7 LPM)
MAX HEAD	4.5 FT (1.4 M)	6.8 FT (2.1 M)
MAWP	2.8 PSI (.02 MPa)	4.3 PSI (.03 MPa)
VOLTAGAGE	115 VAC	115 VAC
CURRENT	.25 A	.4 A
CORD LENGTH	39.4 IN (1 M)	39.4 IN (1 M)
WEIGHT	1.77 LBS (.8 KG)	1.61 LBS (.73 KG)
SUCTION	1/2 IN HOSE	1/2 IN HOSE
DISCHARGE	1/2 IN HOSE	1/2 IN HOSE

ECO#	DESCRIPTION	DATE	REV. LTR.
	SEE CHART		
GJS	04 03 05	XXX	1
DRAWN	DAY MO. YR.	RELEASED	SHEET NO.

IWAKI AMERICA
 5 Boynton Rd.
 Hopping Brook Park
 Holliston, MA 01746
 (508) 429-1440
 www.IwakiAmerica.com

TITLE: MAG DRIVE PUMP
 MD-6L,10L (115V)

PART OR DWG. NO. IF20563 REV. A