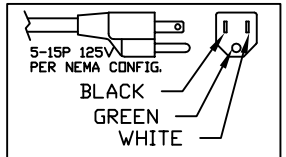
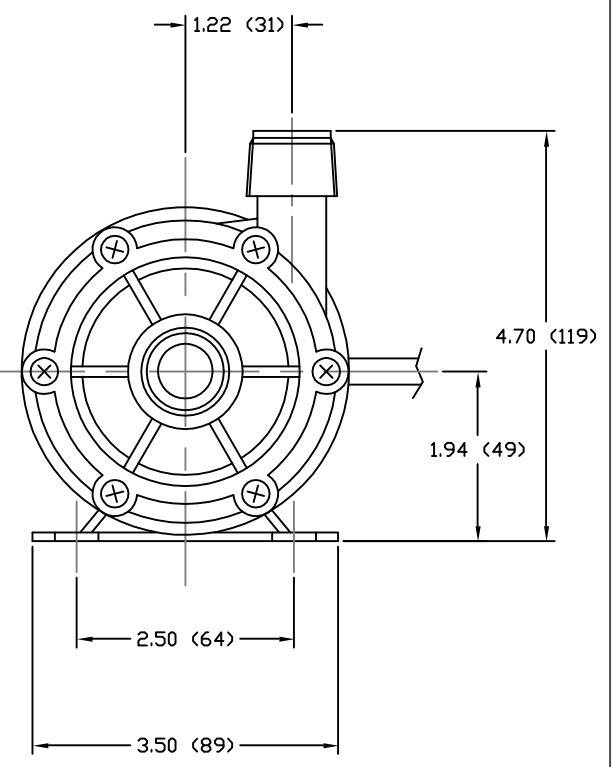
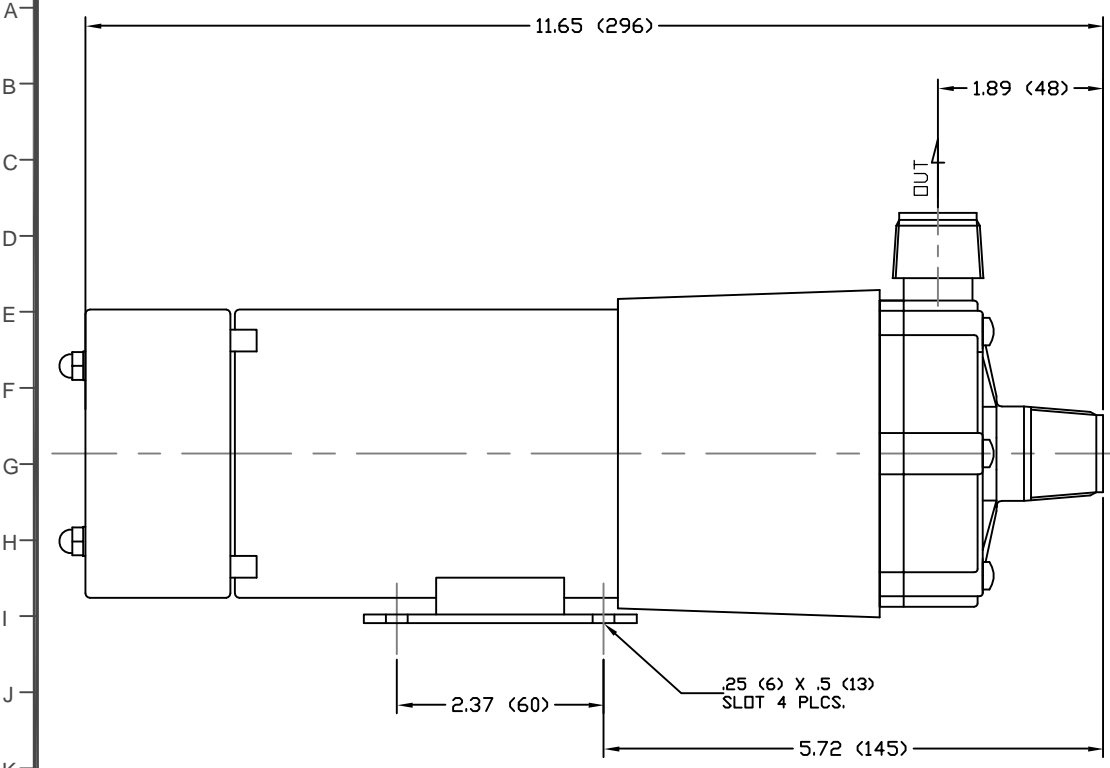


1 2 3 4 5 6 7 8 9 10 11 12 13 14 15 16 17 18 19 20 21 22 23 24 25

PART OR DRAWING NO. IF20600 REV. A



- NOTES:  
 1. DRAWING MAY VARY FROM ACTUAL PRODUCT.  
 2. DRAWN TO SCALE PER 2Z000409.  
 3. REFER TO DRAWING 54210 & 54220.  
 4. DIMENSIONS ARE IN INCHES (MM)

MATERIALS

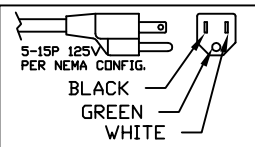
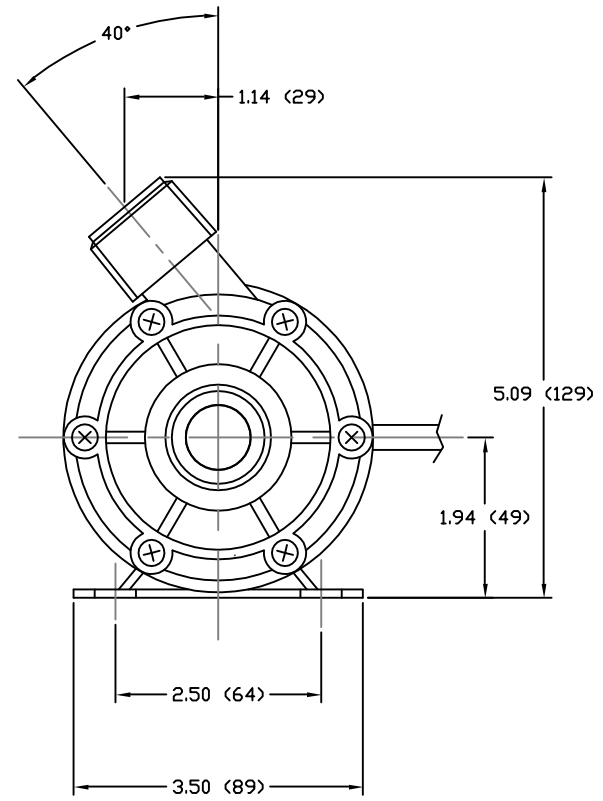
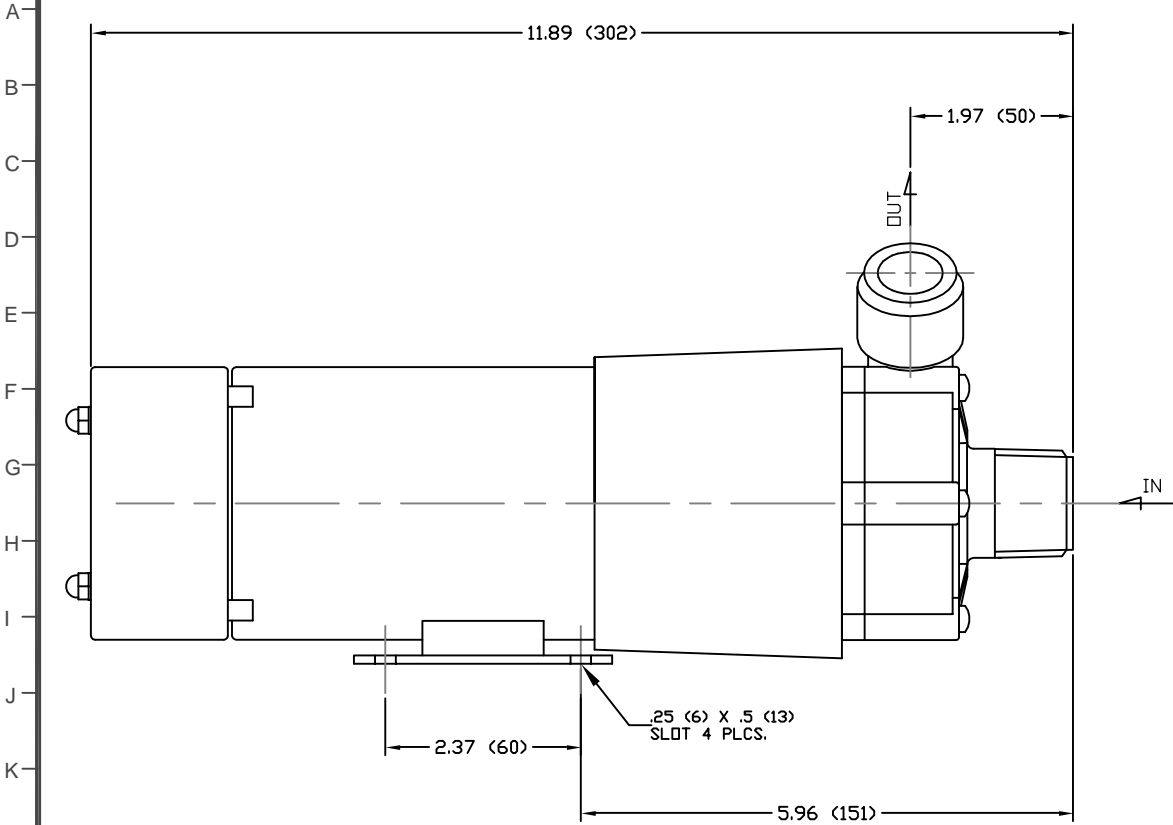
CASING	GFRPP
IMPELLER	GFRPP
SPINDLE	ALUMINA CERAMIC
BEARING	PTFE
THRUST RING	ALUMINA CERAMIC
O-RING	FKM

SPECIFICATIONS

MAX CAPACITY	10 GPM (37.9 LPM)
MAX HEAD	17.7 FT (5.39 M)
MAWP	11.6 PSI (.08 MPA)
VOLTAGE	115 VAC
CURRENT	1.0 A
CORD LENGTH	72 IN ± 2 IN (1.83 M ± .05 M)
WEIGHT	9 LBS (4.08 KG)
SUCTION	3/4 IN NPT - MALE
DISCHARGE	3/4 IN NPT - MALE

ECO#	DESCRIPTION	DATE	REV. LTR.
MATERIAL SEE CHART			
GJS	05 04 05	XXX	1
DRAWN	DAY	MO.	YR.
RELEASED		SHEET NO.	
		5 Boynton Rd. Hopping Brook Park Holliston, MA 01746 (508) 429-1440 www.IwakiAmerica.com	
TITLE			PART OR DWG. NO.
MAG DRIVE PUMP WMD-30RLT (115V)			IF20600
			REV. A

PART OR DRAWING NO. IF20601 REV. A



- NOTES:  
 1. DRAWING MAY VARY FROM ACTUAL PRODUCT.  
 2. DRAWN TO SCALE PER 2Z000410.  
 3. REFER TO DRAWING 54210 & 54220.  
 4. DIMENSIONS ARE IN INCHES (MM)

MATERIALS

CASING	GFRPP
IMPELLER	GFRPP
SPINDLE	ALUMINA CERAMIC
BEARING	PTFE
THRUST RING	ALUMINA CERAMIC
O-RING	FKM

SPECIFICATIONS

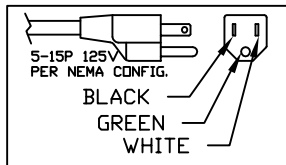
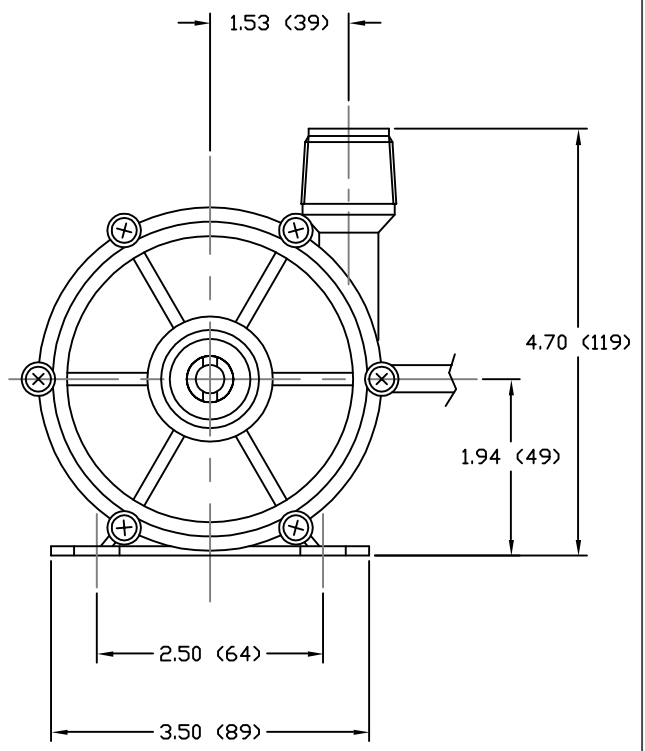
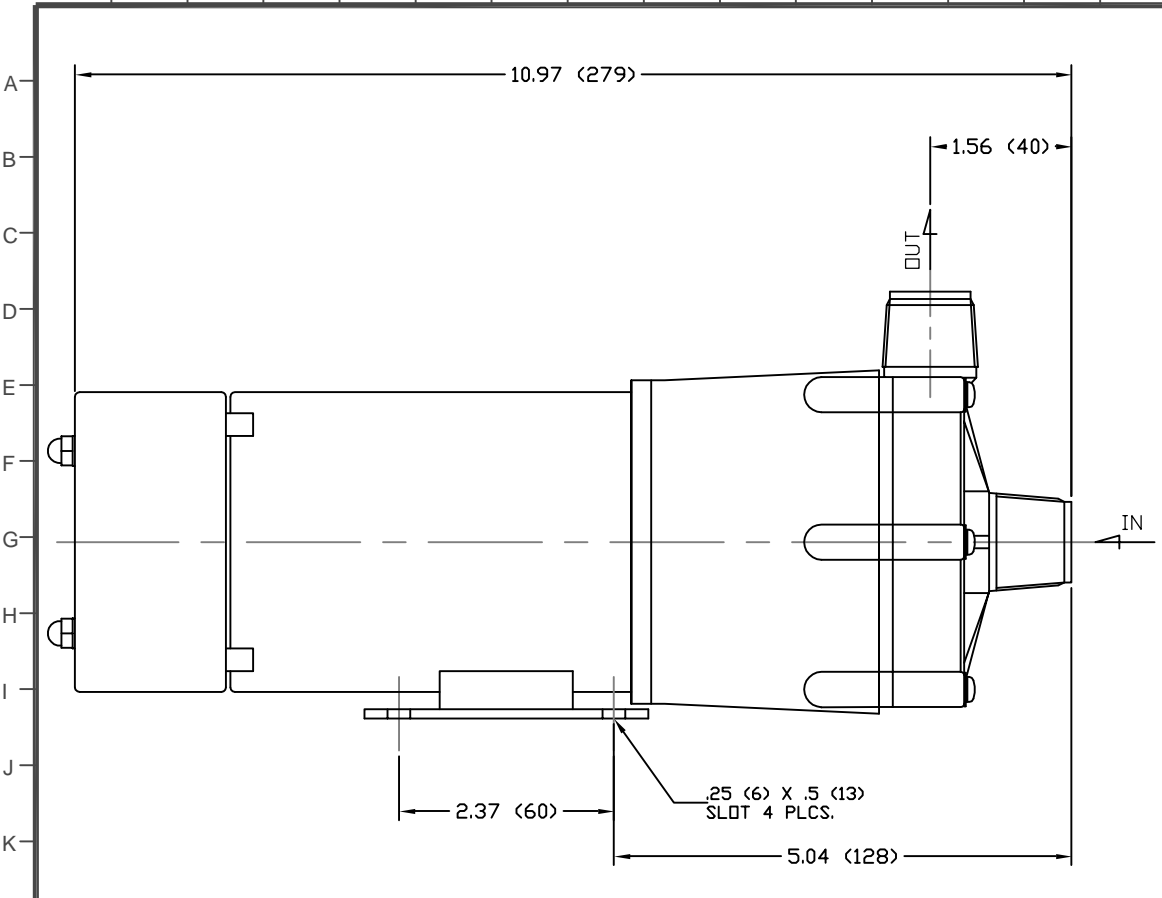
MAX CAPACITY	19 GPM (72 LPM)
MAX HEAD	13.5 FT (4.11 M)
MAWP	8.54 PSI (.06 MPA)
VOLTAGE	115 VAC
CURRENT	1.0 A
CORD LENGTH	72 IN ± 2 IN (1.83 M ± .05 M)
WEIGHT	9 LBS (4.08 KG)
SUCTION	1 IN NPT - MALE
DISCHARGE	1 IN NPT - MALE

ECO#	DESCRIPTION	DATE	REV. LTR.
MATERIAL SEE CHART			
GJS	06 04 05	XXX	1
DRAWN	DAY	MO.	YR.
RELEASED		SHEET NO.	
		5 Boynton Rd. Hopping Brook Park Holliston, MA 01746 (508) 429-1440 www.IwakiAmerica.com	
TITLE			
MAG DRIVE PUMP			A
WMD-30RLXT (115V)			REV.

PART OR DWG. NO. IF20601

1 2 3 4 5 6 7 8 9 10 11 12 13 14 15 16 17 18 19 20 21 22 23 24 25

PART OR DRAWING NO. IF20602 REV. A



- NOTES:  
 1. DRAWING MAY VARY FROM ACTUAL PRODUCT.  
 2. DRAWN TO SCALE PER 2Z000411.  
 3. REFER TO DRAWING 54210 & 54221.  
 4. DIMENSIONS ARE IN INCHES (MM)

SPECIFICATIONS

MAX CAPACITY	4.5 GPM (17 LPM)
MAX HEAD	36.1 FT (11 M)
MAWP	24.18 PSI (.17 MPA)
VOLTAGE	115 VAC
CURRENT	1.0 A
CORD LENGTH	72 IN ± 2 IN (1.83 M ± .05 M)
WEIGHT	9 LBS (4.08 KG)
SUCTION	3/4 IN NPT - MALE
DISCHARGE	3/4 IN NPT - MALE

MATERIALS

CASING	GFRPP
IMPELLER	GFRPP
SPINDLE	ALUMINA CERAMIC
BEARING	PTFE
THRUST RING	ALUMINA CERAMIC
O-RING	FKM

ECO#	DESCRIPTION	DATE	REV. LTR.
MATERIAL SEE CHART			
GJS	06 04 05	XXX	1
DRAWN	DAY	MO.	YR.
RELEASED		SHEET NO.	
		5 Boynton Rd. Hopping Brook Park Holliston, MA 01746 (508) 429-1440 <a href="http://www.lwakiAmerica.com">www.lwakiAmerica.com</a>	
TITLE			
MAG DRIVE PUMP			A
WMD-30RLZT (115V)			REV.

PART OR DWG. NO. IF20602