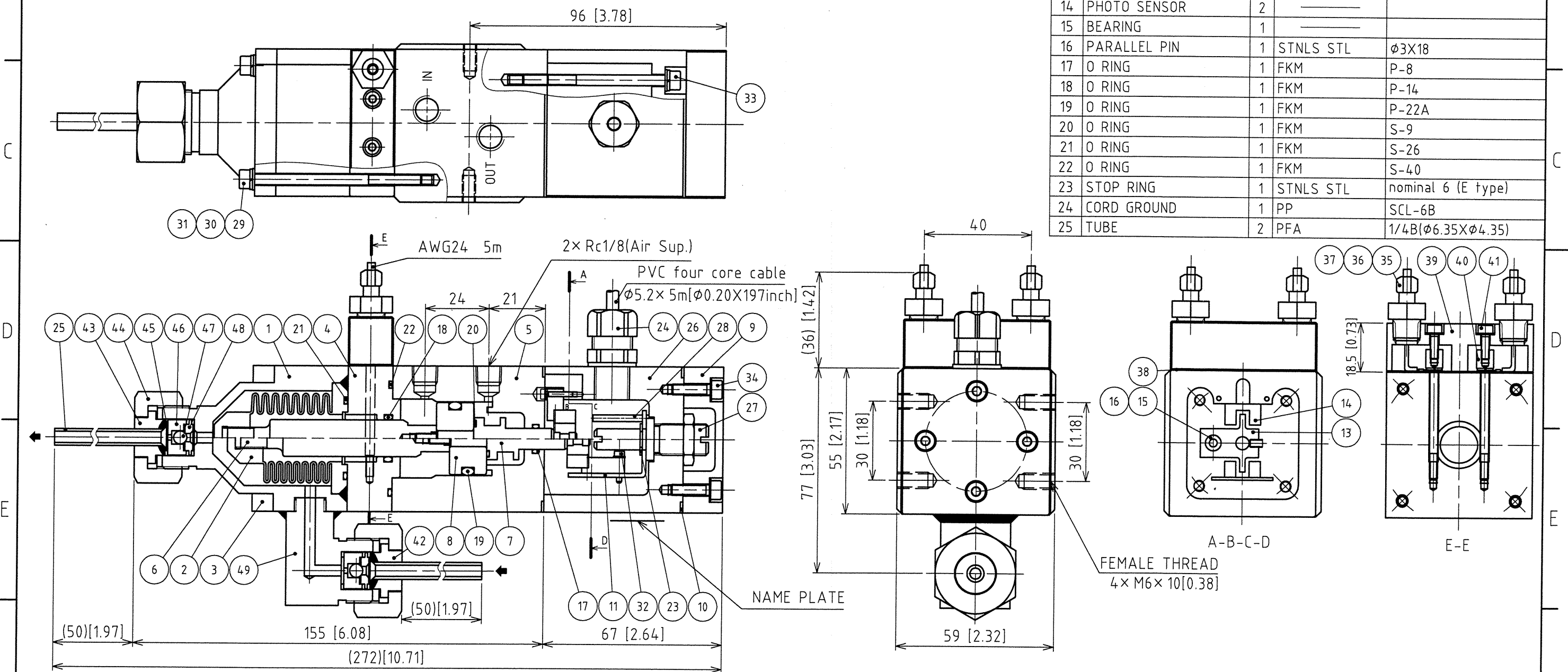


1				2				3				4				5				6				7				8			
No.	PARTS NAME	Q'TY	MATERIALS	REMARKS	No.	PARTS NAME	Q'TY	MATERIALS	REMARKS	No.	PARTS NAME	Q'TY	MATERIALS	REMARKS	No.	PARTS NAME	Q'TY	MATERIALS	REMARKS	No.	PARTS NAME	Q'TY	MATERIALS	REMARKS	No.	PARTS NAME	Q'TY	MATERIALS	REMARKS		
38	PACKING B	1	PTFE		26	CONTROL CASE	1	PVC		1	PUMP HEAD	1	PTFE		2	BELLOWS	1	PTFE		3	FLANGE A	1	PVC		4	FLANGE B	1	PVC			
39	ELECTRODE COVER	1	PVC		27	CONTROL SCREW	1	SUS304		2	BELLOWS	1	PTFE		3	FLANGE A	1	PVC		4	FLANGE B	1	PVC		5	CYLINDER	1	PVC			
40	ELECTRODE	2	SUS304		28	PARALLEL PIN	1	STNLS STL	φ2.5X24	6	PISTON ROD A	1	SUS304		7	PISTON ROD B	1	SUS304		8	PISTON	1	POM		9	CONTROL SCREW COVER	1	PVC			
41	HEX.SOCH CAP BOLT	2	STNLS STL	M3X10 PTFE COATED	29	HEX.SOCH CAP BOLT	4	STNLS STL	M4X65 PTFE COATED	10	PACKING A	2	PTFE		11	INSTALLED BASE	1	SUS304		13	GUIDE PLATE	1	SUS304		14	PHOTO SENSOR	2				
42	SUCTION PORT	1	PTFE		30	SPRING WASHER	4	STNLS STL	M4 PTFE COATED	15	BEARING	1			16	PARALLEL PIN	1	STNLS STL	φ3X18	17	O RING	1	FKM	P-8	18	O RING	1	FKM	P-14		
43	DISCHARGE PORT	1	PTFE		31	PLATE WASHER	4	STNLS STL	M4 PTFE COATED	19	O RING	1	FKM	P-22A	20	O RING	1	FKM	S-9	21	O RING	1	FKM	S-26	22	O RING	1	FKM	S-40		
44	VALVE CAP	2	PP		32	HEX.SOCH CAP BOLT	4	STNLS STL	M2X10	23	STOP RING	1	STNLS STL	nominal 6 (E type)	24	CORD GROUND	1	PP	SCL-6B	25	TUBE	2	PFA	1/4B(φ6.35Xφ4.35)							
45	VALVE GASKET	6	PTFE		33	HEX.SOCH CAP BOLT	4	STNLS STL	M4X55																						
46	VALVE GUIDE	2	PTFE		34	HEX.SOCH CAP BOLT	4	STNLS STL	M4X15 PTFE COATED																						
47	VALVE	2	PTFE	3/16"	35	MALE CONNECTOR	2	PTFE	30-3MC2-C																						
48	VALVE SEAT	2	PCTFE		36	TUBE ADAPTER	2	SILICON RUBBER	30-15TA																						
49	VALVE CASE	1	PTFE		37	SENSOR CORD	2	PVC	AWG24 5m																						



△				
△				
△				
△				
マ-7 MARK	改訂事項 REVISION	改訂No. REV.No.	日付 DATE	承認 APPROVED BY
1				
2				

承認 APPROVED BY <i>J. Sawada</i>	設計 DESIGNED BY K. Onoue	尺度 SCALE N T S	単位 UNIT mm[inch]	質量 MASS kg	名称 TITLE PNEUMATIC BELLOWS PUMP
検図 CHECKED BY —	製図 DRAWN BY K. Onoue	MAR. 29, 2010		型式 MODEL CFD-1T-B	図番 DWG No. 1A350731
IWAKI CO., LTD. TOKYO JAPAN					