

Pneumatic Drive Bellows Pump



Iwaki America’s best known bellows pumps, the FF-H Series, offers a full temperature range (20 to 180°C) in three sizes, encompassing most wet bench recirculation pump requirements. High purity and exceptional performance are central to the design mission of these pumps - the pumps are manufactured in a class 10,000 clean room environment. The PTFE bellows, PFA valves, and tubing are welded, ensuring the greatest possible resistance to contamination. The Intake/Output fittings are integral to the fluid path - there are no ridges where particulates can accumulate.

The pump is sensor driven, optimizing pressure, stroke and speed for unsurpassed reliability and service life. There are no internal parts to be maintained - no o-rings or gaskets which would require downtime and rebuilding. In fact, there is no scheduled maintenance and a full two year warranty!!

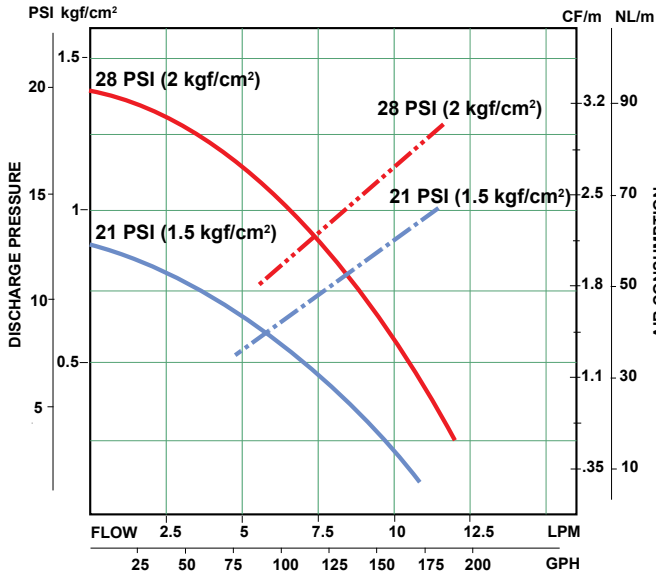
Model	FF-10H	FF-20H	FF-40H
Maximum discharge capacity	3.1 gal/min (12 L/min)	5.8 gal/min (22 L/min)	11.6 gal/min (45 L/min)
Maximum stroke speed	120 spm	120 spm	80 spm
Liquid temperature range	68-356°F (20-180°C)		
Maximum air supply pressure	28.4 PSI (0.2 MPa)		
Pump connection size	PFA 1/2" tubing	PFA 3/4" tubing	PFA 1" tubing
Supply air connection size*	1/4" PT	1/4" PT	3/8" PT
Maximum air consumption	90 NL/min (3.2 CFM)	160 NL/min (5.7 CFM)	200 NL/min (7.1 CFM)

*NPT conversion fittings are available

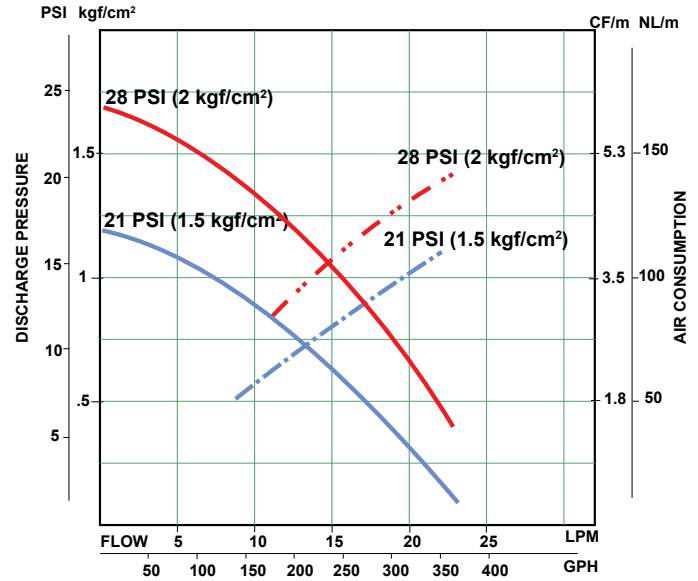


Performance Curves

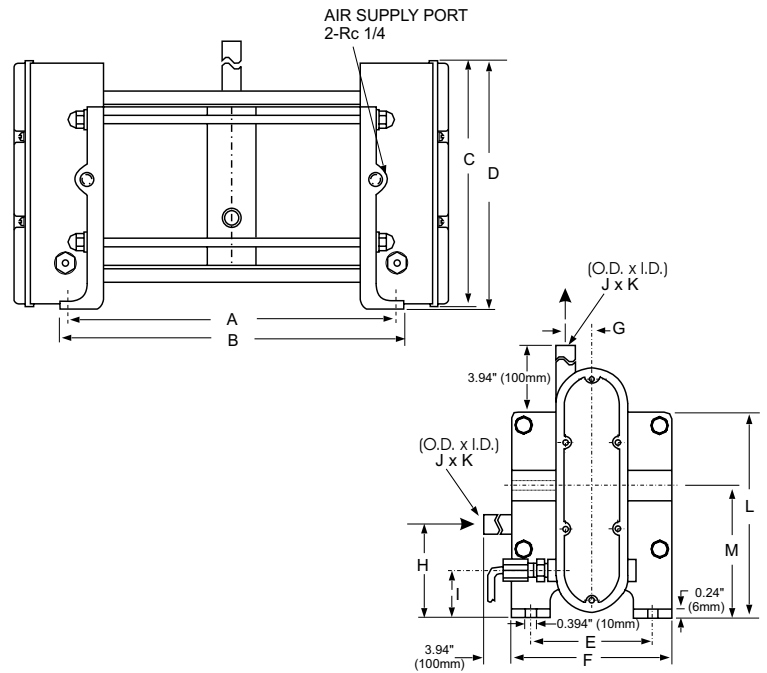
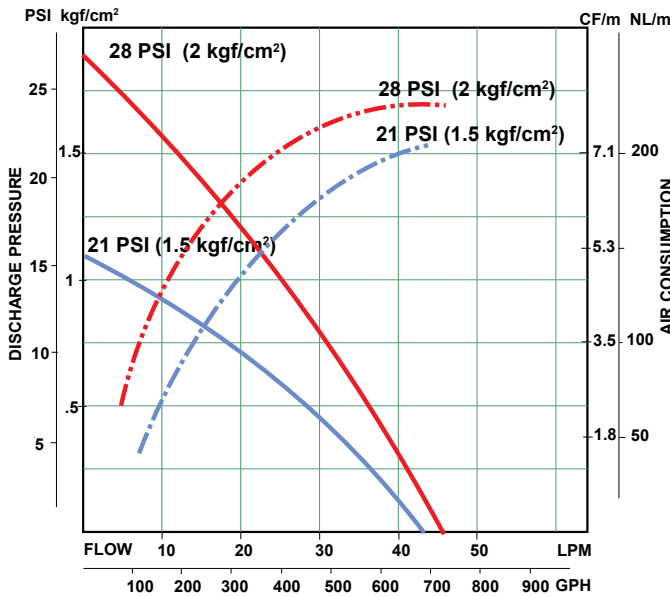
FF-10H



FF-20H



FF-40H



Dimensions in inches (mm)

Model	A	B	C	D	E	F	G	H	I	J x K	L	M
FF-10H	10.48 (266)	14.22 (361)	7.41 (188)	7.53 (191)	3.31 (84)	4.49 (114)	0.57 (14.5)	3.23 (82)	1.26 (32)	1/2" TUBING (ø 13 x ø 10)	6.06 (154)	3.82 (97)
FF-20H	16.98 (431)	21.00 (533)	9.46 (240)	9.85 (250)	5.52 (140)	7.09 (180)	0.79 (20)	3.82 (97)	1.58 (40)	3/4" TUBING (ø 19 x ø 16)	7.17 (182)	4.41 (112)
FF-40H							0.93 (23.5)			1" TUBING (ø 25 x ø 22)		