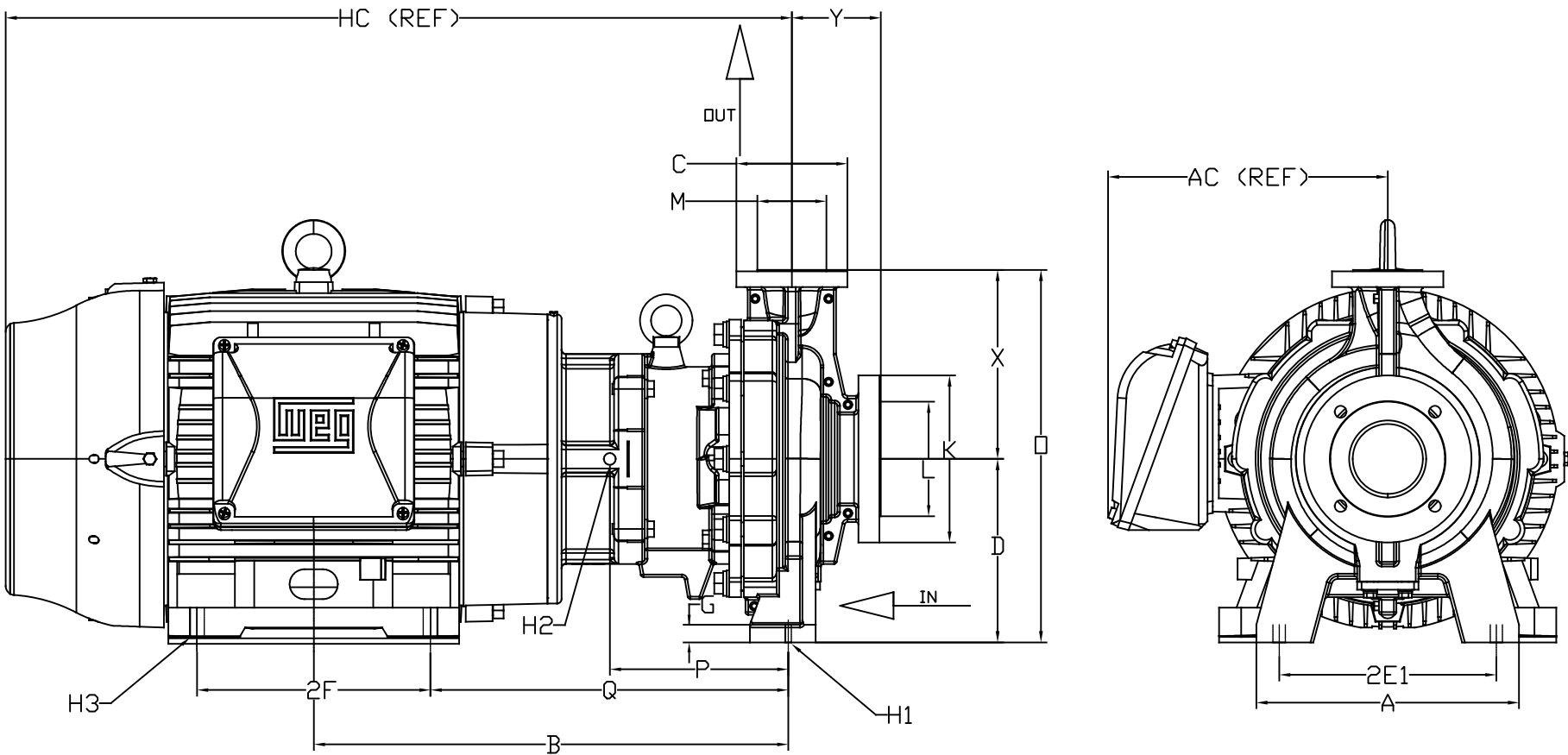


MODEL	PUMP FLANGES		DIMENSIONS(INCHES)			
	SUCTION	DISCHARGE	K	L	C	M
MDM-3158	3"	1.5"	7.52	5.16	5.00	3.11

REVISIONS			
REV	DESCRIPTION	DATE	APPROVED
A	FIRST DOCUMENT	12/9/2024	JP



PUMP DIMENSIONS(INCHES)																
HP/ FRAME	A	AC	B	D	2E1	2F	G	H1	H2	H3	HC	O	P	Q	X	Y
7.5-10/ 213-215TC	11.81	9.21	18.59	8.25	9.76	5.50	0.79	0.28	0.53	0.66	26.82	16.75	9.02	15.09	8.50	4.00
15-20/ 254-256TC	11.81	10.03	17.83	8.25	9.76	82.50	0.79	0.28	0.53	0.66	28.09	16.75	N/A	12.83	8.50	4.00
25-30/ 284-286 TSC	11.81	12.27	21.09	8.25	9.76	9.50	0.79	0.28	0.53	0.66	32.50	16.75	9.02	15.59	8.50	4.00
40-50/ 324/26 TSC	11.81	12.58	21.34	8.25	9.76	10.50	0.79	0.28	0.53	0.66	35.35	16.75	8.03	16.09	8.50	4.00

NOTES:
 1. DRAWN PER 2BB460570_MDM3158E__F__A
 2. WEG 04036ET3E324TSC-W22 MOTOR USED FOR REFERENCE.
 3. DIMENSIONS MAY VARY SLIGHTLY FROM ACTUAL PRODUCT.

PROPRIETARY THIS DRAWING CONTAINS CONFIDENTIAL INFORMATION PROPRIETARY TO IWAKI AMERICA. IT MUST NOT BE REPRODUCED OR FORWARDED TO OTHERS OR USED IN ANY OTHER WAY, IN WHOLE OR IN PART, UNLESS AUTHORIZED IN WRITING BY IWAKI AMERICA.		TOLERANCES DIMENSIONS IN INCHES UNO UNLESS OTHERWISE NOTED X = .050 XX = .010 XXX = .00		 iwakiAmerica.com 5 Boynton Rd. Hopping Brook Park Holliston, MA 01746 (508) 429-1440	
		DEBURR AND BREAK ALL SHARP EDGES			
MATERIAL CFRETFE		SIZE A	DWG NO. IALT-00492	DESCRIPTION DIM DRAWING MDM-3158 (7.5-50 HP)	
BY BA	DATE 12/9/2024	SCALE: FULL	THIRD ANGLE PROJECTION	REV A	SHEET: 1 OF 1