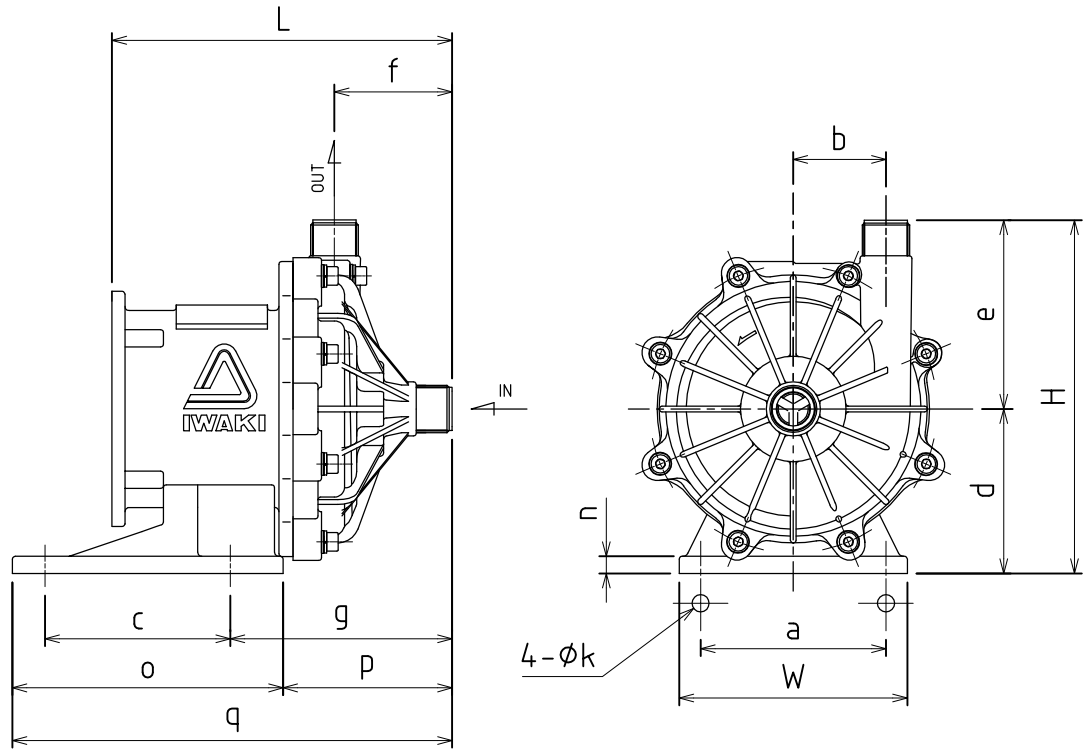




- NOTES:
 1) SHAPE OF PRODUCT ON DRAWING MAY DIFFER FROM ACTUAL PRODUCT ON SOME POINTS.
 2) SOME DIMENSIONS MAY VARY.
 3) FLANGES AVAILABLE UPON REQUEST.
 4) PUMP DRAWN FROM 22B402547 & 22B402548.

REVISIONS			
REV	DESCRIPTION	DATE	APPROVED
C	MX-251 DIMENSIONS - ECO 2989	6/4/2019	CJC



MODEL	SUCTION	DISCHARGE
MX-(F)250/251	1" MNPT	1" MNPT

MODEL	HP/FRAME	W	H	L
MX-(F)250	.5 / 56C	6.30	9.75	9.39
MX-(F)251	1 / 56C	6.30	9.75	9.39

MODEL	a	b	c	d	e	f	g	k	n	o	p	q
MX-(F)250/251	5.12	2.56	5.12	4.53	5.22	3.25	6.12	.47	.47	7.48	4.67	12.15

TOLERANCES
 DIMENSIONS IN INCHES (MM)
 UNLESS OTHERWISE NOTED
 X = .050
 .XX = .010
 .XXX = .005
 DEBURR AND BREAK ALL SHARP EDGES



www.lwakiAmerica.com

5 Boynton Rd.
 Hopping Brook Park
 Holliston, MA 01746
 (508) 429-1440

SIZE	DWG NO.	DESCRIPTION	REV
A	IF20496	MX-(F)250/251, .5/1 HP, 56C FRAME	C

SCALE: FULL © THIRD ANGLE PROJECTION SHEET: 1 OF 1

