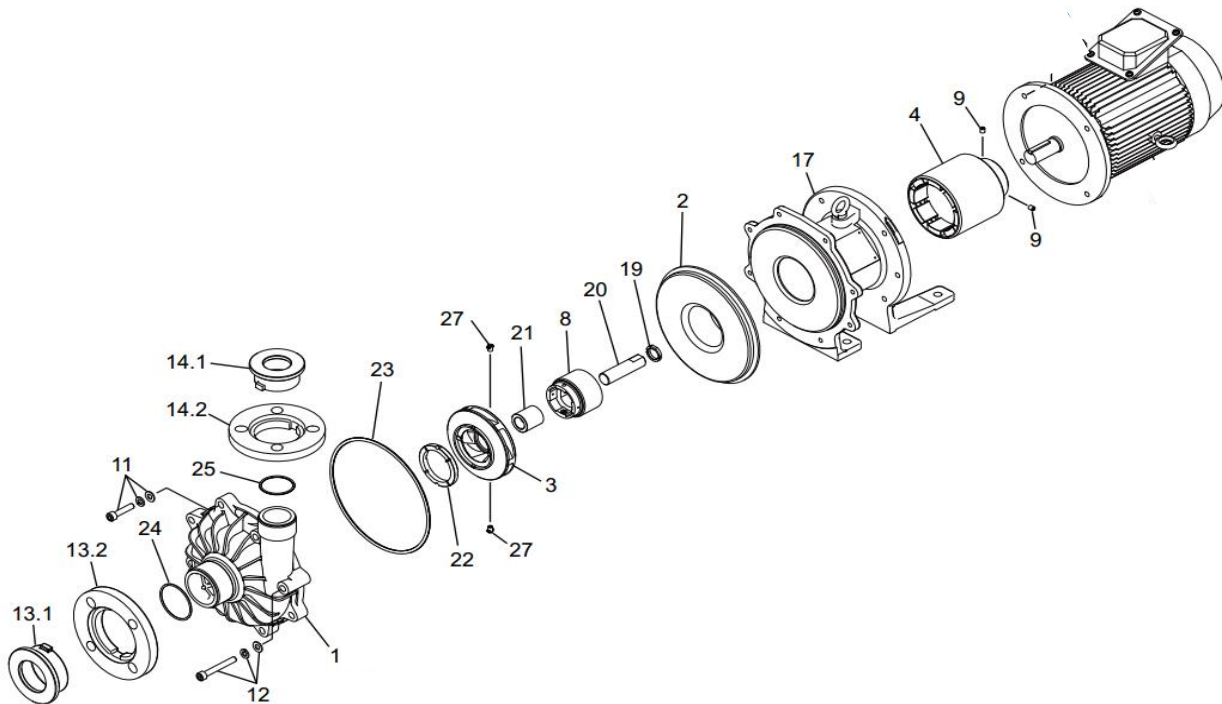


MX-505



SHADED ITEMS ARE RECOMMENDED SPARE PARTS

Item #	Part Number	Description
1	MX0983	Casing, Front, MX-505, GFRPP/AL. Ceramic
22	MX0972	Thrust Collar, Front, Inboard, MX-505C/R, PTFE
3	MX0970	Impeller, MX-505, GFRPP
	MX0971	Impeller, MX-505, GFRPP
23	MX0974	O-ring, Casing, MX-505, FKM
	MX0973	O-ring, Casing, MX-505, EPDM
8 & 21	MX0186	Magnet Cap Asm, MX-403/505CV/CE, GFRPP/Carbon
	MX0187	Magnet Cap Asm, MX-403/505RV/RE, GFRPP/PTFE
20	MX0182	Shaft, MX-(F)402/403/505, CF/RF, Alumina Ceramic
19	MX0183	Thrust Collar,Rear,MX-402(H)/403(H)/505CV/RV/AV,CFRPEEK
2	MX0967	Casing, Rear, MX-505, GFRPP
4	MX0986	Magnet Asm, Drive, MX-505, NEMA, Neodymium
17	MX0406	Bracket, Motor, MX-505, DCI
14	MX0219	Hex.head bolt w/PW,SW,MX(F)250-403(for base),M8x20
15	MX0312	Hex. Head Cap bolt, MX-505, M10X45, Req'd (6)



Effective: January 20, 2015 Supersedes: None	PAGE: SPARES-2 MX-505
---	---

16	MX0965	Hex. Head Cap bolt, MX-505, M10X75, Req'd (2)
27	MX0308	Pin, Impeller, MX-402(H)/03(H)/505, CFRPPS (Req'd 2)
13.1	MX0982	FLANGE, GFRPP, MX-505, INNER, SUCTION
13.2	MX0981	FLANGE, GFRPP, MX-505, OUTER, SUCTION
24	MX0978	O-RING, FKM, G-70, MX-505, SUCTION FLANGE
	MX0977	O-RING, EPDM, G-70, MX-505, SUCTION FLANGE
14.1	MX0980	FLANGE, GFRPP, MX-505, INNER, DISCHARGE
14.2	MX0979	FLANGE, GFRPP, MX-505, OUTER, DISCHARGE
25	MX0976	O-RING, FKM, G-70, MX-505, DISCHARGE FLANGE
	MX0975	O-RING, EPDM, G-70, MX-505, DISCHARGE FLANGE