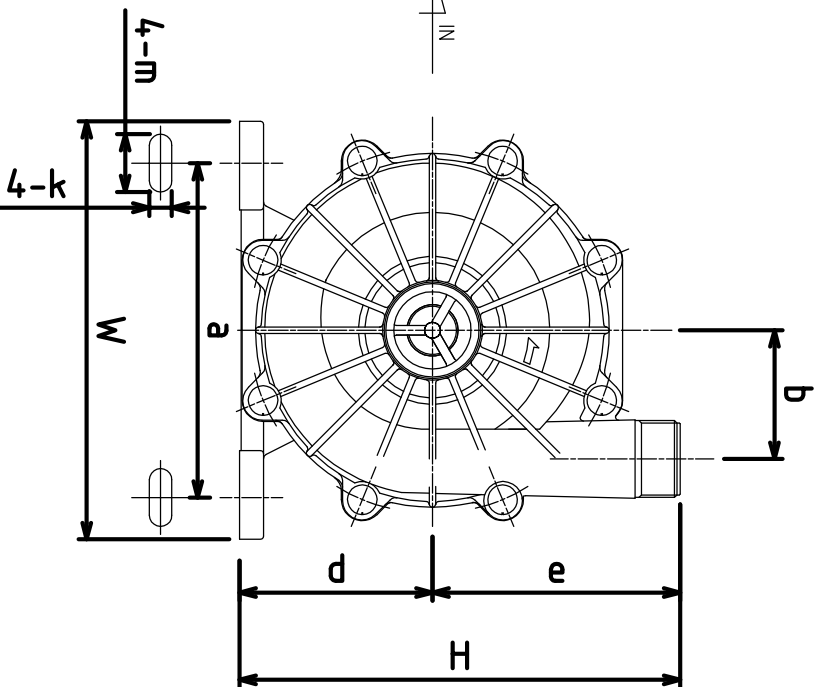
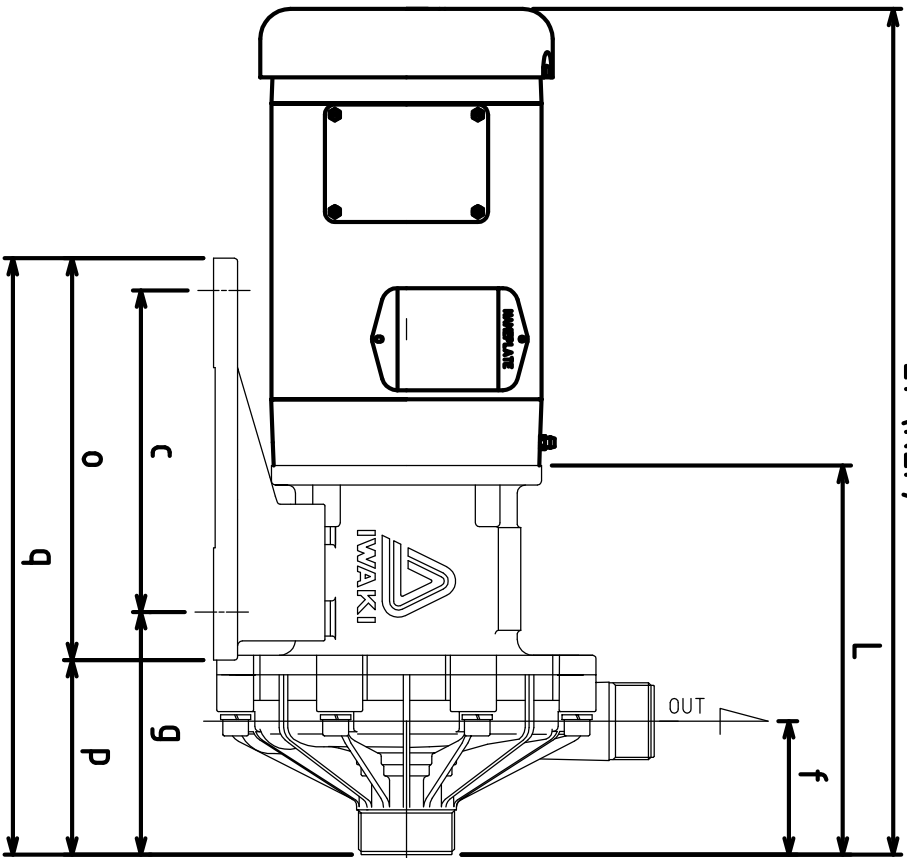


Lt (REF)



- NOTES:
 1) SHAPE OF PRODUCT ON DRAWING MAY DIFFER FROM ACTUAL PRODUCT ON SOME POINTS.
 2) SOME DIMENSIONS MAY VARY.
 3) FLANGES AVAILABLE UPON REQUEST.
 4) PUMP DRAWN FROM 22B402551.

MODEL	SUCTION	DISCHARGE
MX-(F)402/3(H)	2" MNPT	1.5" MNPT

MODEL	HP/FRAME	W	H	L	Lt (2 HP)	Lt (3 HP)
MX-(F)402/3(H)	2, 3/145TC	10.24	10.78	9.53	20.71	21.59

MODEL	a	b	c	d	e	f	g	k	m	o	p	q
MX-(F)402/3(H)	8.19	3.15	7.87	4.72	6.06	3.27	5.94	.47	1.42	9.84	4.76	14.61

PART OR DRAWING NO.
IF20501

REV.
A

ECON#	DESCRIPTION	DATE	REV. LTR.
			MX-(F)402/3, 1

MATERIAL	DESCRIPTION
GFRPP (CFR17E)	



Iwaki America Corp.

5 Boynton Rd.
 Hopping Brook Park
 Holliston, MA 01746
 www.IwakiAmerica.com (508)429-1440

TITLE
 MX-(F)402/3, 1
 2, 3 HP / 145TC FRAME

REV.
A

PART OR DWG. NO.