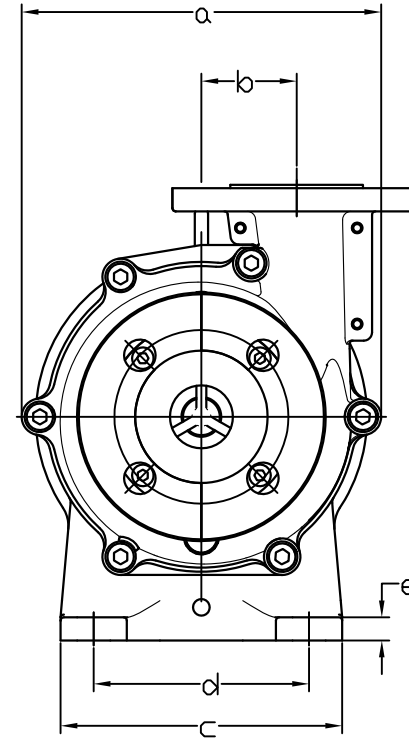
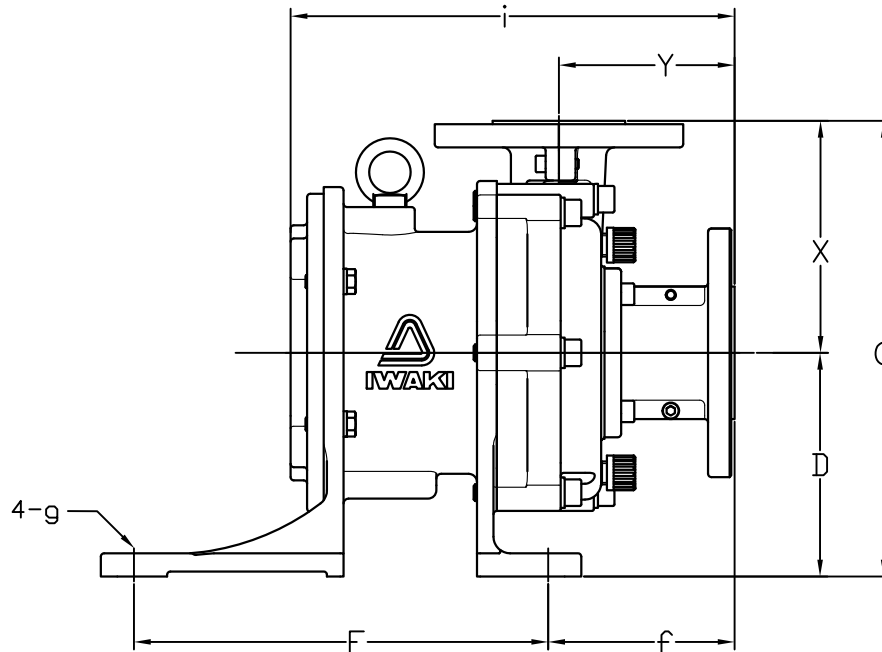


MODEL	HP/ FRAME	PUMP FLANGES (2)	
		SUCTION	DISCHARGE
MXM-441	1/56C		
MXM-442	2/145TC	1.5"	1.5"



REVISIONS			
REV	DESCRIPTION	DATE	APPROVED



PUMP DIMENSIONS (1)												
a	b	c	d	D	e	f	F	g	i	D	X	Y
8.54	2.26	6.69	5.12	5.31	0.55	4.43	9.84	0.55	10.55	10.83	5.51	4.17

NOTES AND REFERENCES:

- (1) ALL DIMENSIONS IN INCHES. ALL TOLERANCES $\pm .125"$, CONSULT IWAKI AMERICA FOR MORE DETAILS.
- (2) BOLT HOLE LOCATIONS OF SUCTION AND DISCHARGE FLANGES CONFORM TO ANSI B16.5 150 LB STANDARD.
- (3) DRAWN PER 2B404285, 2B404545.

<p align="center">PROPRIETARY</p> <p align="center">THIS DRAWING CONTAINS CONFIDENTIAL INFORMATION PROPRIETARY TO IWAKI AMERICA. IT MUST NOT BE REPRODUCED OR FORWARDED TO OTHERS OR USED IN ANY OTHER WAY, IN WHOLE OR IN PART, UNLESS AUTHORIZED IN WRITING BY IWAKI AMERICA.</p>		<p align="center">TOLERANCES</p> <p align="center">DIMENSIONS IN INCHES (MM)</p> <p align="center">UNLESS OTHERWISE NOTED X = .050 .XX = .010 .XXX = .005</p>		 <p align="center">www.IwakiAmerica.com</p>		<p align="center">5 Boynton Rd. Hopping Brook Park Holliston, MA 01746 (508) 429-1440</p>	
		<p align="center">MATERIAL DUCTILE IRON</p> <p align="center">DEBURR AND BREAK ALL SHARP EDGES</p>					
BY CJC	DATE 11/22/2011	SIZE A	DWG NO. IALT-00219	DESCRIPTION MXM-44 MAG DRIVE PUMP		REV A	
APPROVED JTS	DATE 11/28/2011	SCALE: FULL	 <p>THIRD ANGLE PROJECTION</p>	SHEET:	1 OF 1		