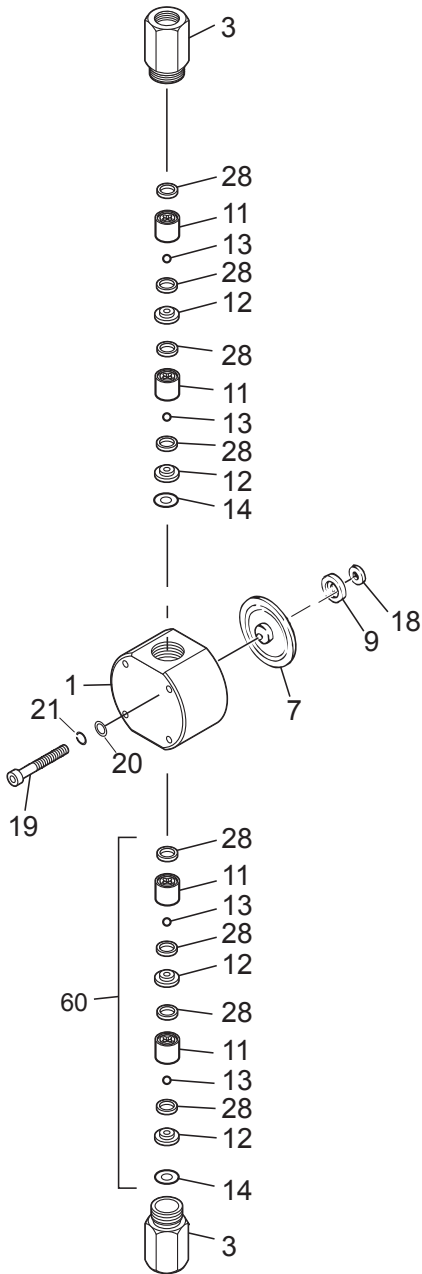


# EZ 11-36 Stainless Steel (SH-N) Liquid End Exploded View



Item	Part#	Description	Qty	Material	Size
1	EH2021	Pump Head	1	316SS	B11
	EH2176		1	316SS	B16 / C16
	EH2022		1	316SS	B21 / C21
	EH2023		1	316SS	B31 / C31
	EH2024		1	316SS	C36
3	EH0429	Housing, Valve	2	316SS	B11,16,21 / C16,21
	EH0433		2	316SS	B31 / C31,36
*7	EH1971	Diaphragm	1	PTFE+EPDM	B11
	EH1972		1	PTFE+EPDM	B16 / C16
	EH1973		1	PTFE+EPDM	B21 / C21
	EH1974		1	PTFE+EPDM	B31 / C31
	EH1975		1	PTFE+EPDM	C36
*9	EH0059	Retainer	1	PPS+GF	B11
	EH0083		1	PPS+GF	B16 / C16
	EH0067		1	PPS+GF	B21 / C21
	EH0087		1	PPS+GF	B31 / C31
	EH0158		1	PPS+GF	C36
11	EH0360	Guide, Valve	4	316SS	B11
	EH1551		4	316SS	B16,21 / C16,21
	EH1552		4	316SS	B31 / C31,36
12	EH1554	Seat, Valve	4	316SS	B11
	EH1555		4	316SS	B16,21 / C16,21
	EH1556		4	316SS	B31 / C31,36
	EH0049	Ball, Valve	4	HC	B11
EH0072			4	HC	B16,21 / C16,21
	EH0126		4	HC	B31 / C31,36
	*14	EH0362	Gasket, Valve Housing	2	PTFE
EH0380			2	PTFE	B31 / C31,36
19	EH2089	Bolt, Hex Socket	4	M4x45	B11,16,21,31 / C16,21
	EH2090		4	M5x45	C-31,36
20	EH1999	Washer, Plate, M4	4	316SS	B11,16,21,31 / C16,21
	EH2011	Washer, Plate, M5	4	316SS	C-31,36
21	EH2000	Washer, Split, M4	4	316SS	B11,16,21,31 / C16,21
	EH2012	Washer, Split, M5	4	316SS	C-31,36
*28	EH0365	Gasket, Valve	8	PTFE	B11,16,21 / C16,21
	EH0382		8	PTFE	B31 / C31,36
18	-----	Brass Spacers	--	Brass	Drive Specific. Reuse with Dia. change