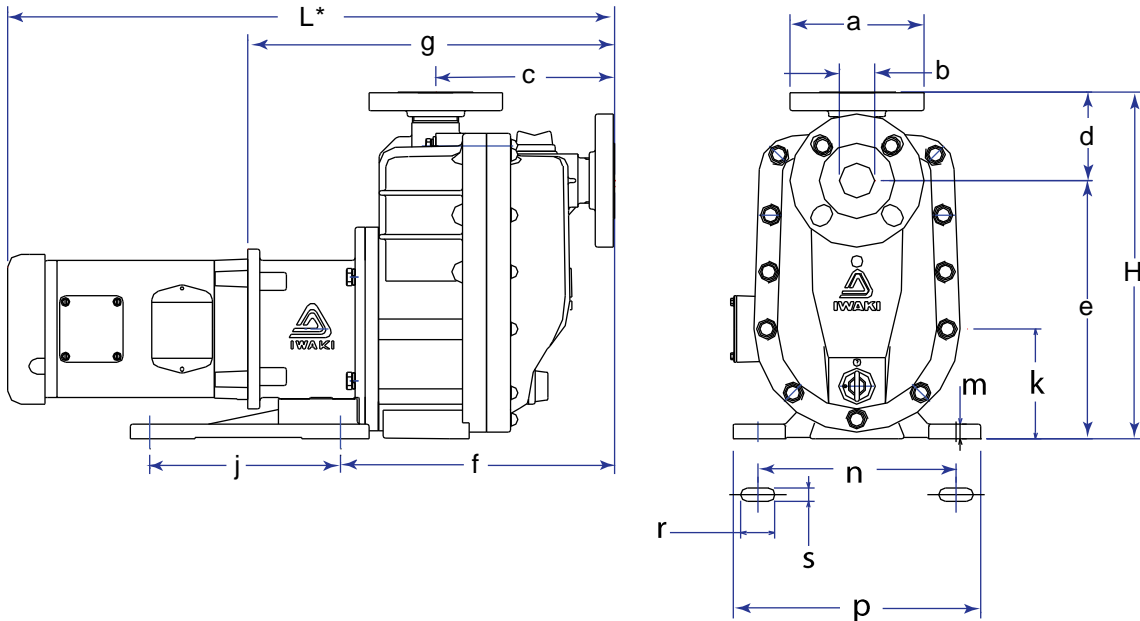


## SMX-(F) Weights and Dimensions

SMX Pump Weight without motor:

SMX-(F)220	28.7 lbs (13 kg)
SMX-(F)221	34.2 lbs (15.5 kg)
SMX-(F)222/441	35.3 lbs (16 kg)
SMX-(F)442/443	36.4 lbs (16.5 kg)
SMX-(F)543	61.8 lbs (28 kg)
SMX-(F)545	79.4 lbs (36 kg)



inches (mm)

Model	a	b	c	d	e	f	g	j	k	m	n	p	r	s	H	L*	HP/Frame
SMX-(F)220							12.13 (308)									21.22 (539)	0.5/56C
SMX-(F)221	4.92 (125)	0.98 (25)	6.38 (162)	2.91 (74)	10.04 (255)	9.45 (240)	12.60 (320)								12.95 (329)	21.77 (533)	1.0/56C
SMX-(F)222							13.07 (332)	7.87 (200)	4.53 (115)	0.59 (15)	8.18 (208)	10.24 (260)	1.42 (36)	0.55 (14)		23.89 (697)	2.0/145TC
SMX-(F)441							14.41 (366)									23.58 (599)	1.0/56C
SMX-(F)442	5.51 (140)	1.57 (40)	7.40 (188)	3.66 (93)	10.67 (271)	11.22 (285)	14.88 (378)								14.33 (364)	25.69 (652)	2.0/145TC
SMX-(F)443							14.88 (378)									25.69 (652)	3.0/145TC
SMX-(F)543	6.10 (155)	1.89 (48)	8.02 (204)	3.93 (100)	11.36 (288)	12.18 (309)	15.52 (394)	7.86 (200)			8.17 (208)	10.22 (260)	0.55 (14)	1.41 (36)	15.29 (388)	26.71 (678)	3.0/145TC
SMX-(F)545			8.03 (204)	3.94 (100)	11.38 (289)	12.20 (310)	16.59 (421)	10.24 (260)	5.12 (130)	0.13 (3.3)	9.06 (230)	10.24 (260)	1.42 (36)	0.55 (14)	15.31 (389)	30.28 (769)	5.0/184TC

\* Varies according to motor manufacturer.

IALT0020.D

Five Boynton Road Hopping Brook Park Holliston, MA 01746 USA  
 TEL: 508-429-1440 Web: www.iwakiamerica.com