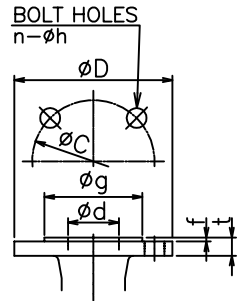
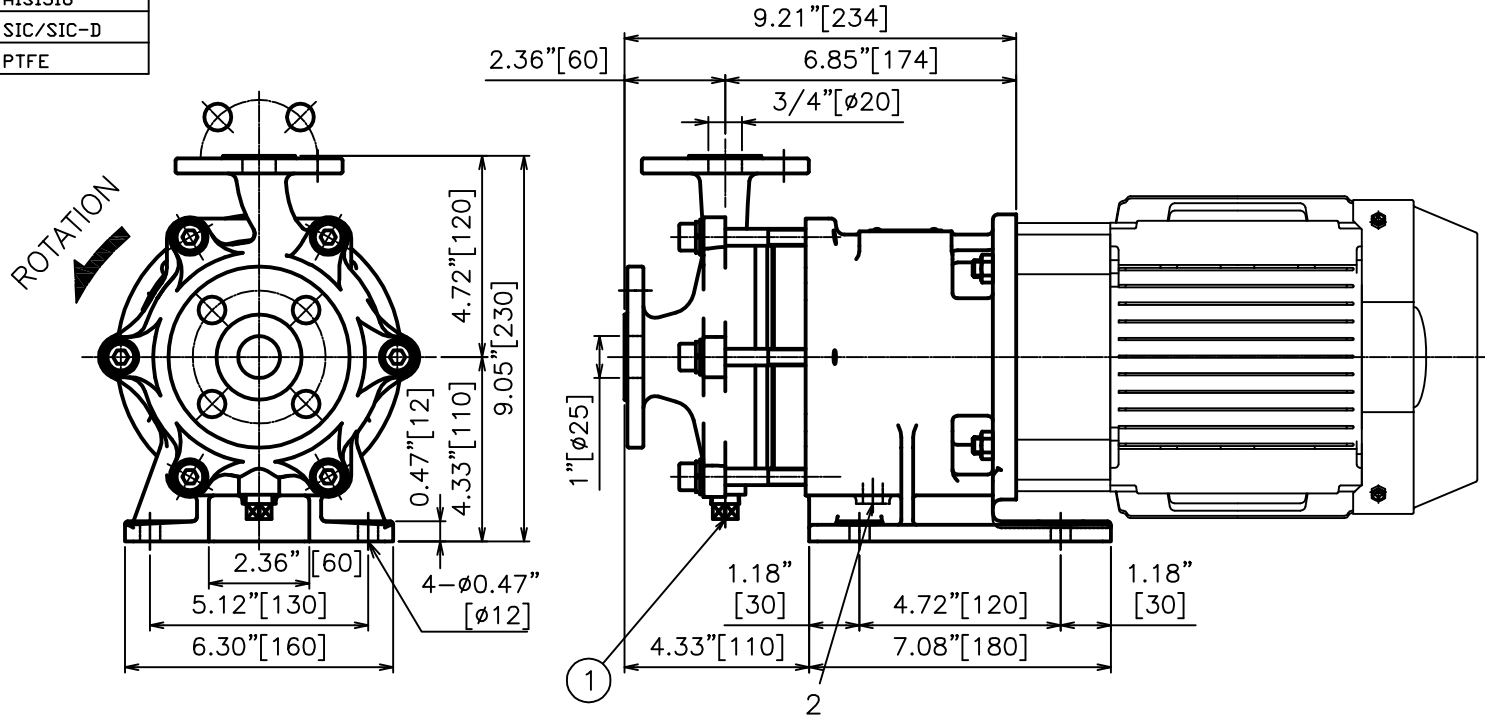


Materials of Construction	
CASING	ACI-CF-8M
REAR CASING	AISI316
IMPELLER	ACI-CF-8M
MAGNET COUPLING	AISI316
SHAFT	AISI316
BEARING	SIC/SIC-D
GASKET	PTFE

REVISIONS			
REV	DESCRIPTION	DATE	APPROVED
A	RELEASED	5/24/2018	CJC



FLANGE DIMENSIONS * SMOOTH FINISH (mm)

RATING		SIZE(d)	D	t	f	g	C	n	h
ASME 150lb RF	SUCTION	1"	4.25" [108]	0.44" [11.2]	0.06" [1.6]	2.00" [50.8]	3.12" [79.2]	4	0.62" [16]
	DISCHARGE	3/4"	3.88" [99]	0.41" [10.5]	0.06" [1.6]	1.69" [42.9]	2.75" [69.8]	4	0.62" [16]

MOTOR		PUMP	
FRAME SIZE	OUTPUT (HP)	CODE	MASS APPROX lb[kg]
56C	1	MP220-*N10AN MP220-*N10AH	50.7[23]
143TC 145TC	2	MP220-*N20AN MP220-*N20AH	

- NOTES:
 1. CASING DRAIN; Rc3/8 (PLUG)
 2. FRAME ADAPTER DRAIN; 1- ϕ 0.47" [12] (OPEN)
 3. DRAWN PER MMP220-140-A-XA
 4. SOME FEATURES MAY VARY SLIGHTLY.

PROPRIETARY THIS DRAWING CONTAINS CONFIDENTIAL INFORMATION PROPRIETARY TO IWAKI AMERICA. IT MUST NOT BE REPRODUCED OR FORWARDED TO OTHERS OR USED IN ANY OTHER WAY, IN WHOLE OR IN PART, UNLESS AUTHORIZED IN WRITING BY IWAKI AMERICA.		TOLERANCES DIMENSIONS IN INCHES ϕ MD UNLESS OTHERWISE NOTED X = .050 .XX = .010 .XXX = .00		 www.IwakiAmerica.com		5 Boynton Rd. Hopping Brook Park Holliston, MA 01746 (508) 429-1440	
MATERIAL		DEBURR AND BREAK ALL SHARP EDGES		DESCRIPTION		REV	
SEE CHART		SCALE: FULL		MP-220 (1-2 HP)		A	
BY: JP	DATE: 5/24/2018	SIZE: B	DWG NO.: SWD-00101	THIRD ANGLE PROJECTION		SHEET: 1 OF 1	
APPROVED: CJC	DATE: 5/24/2018						