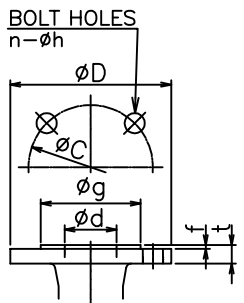
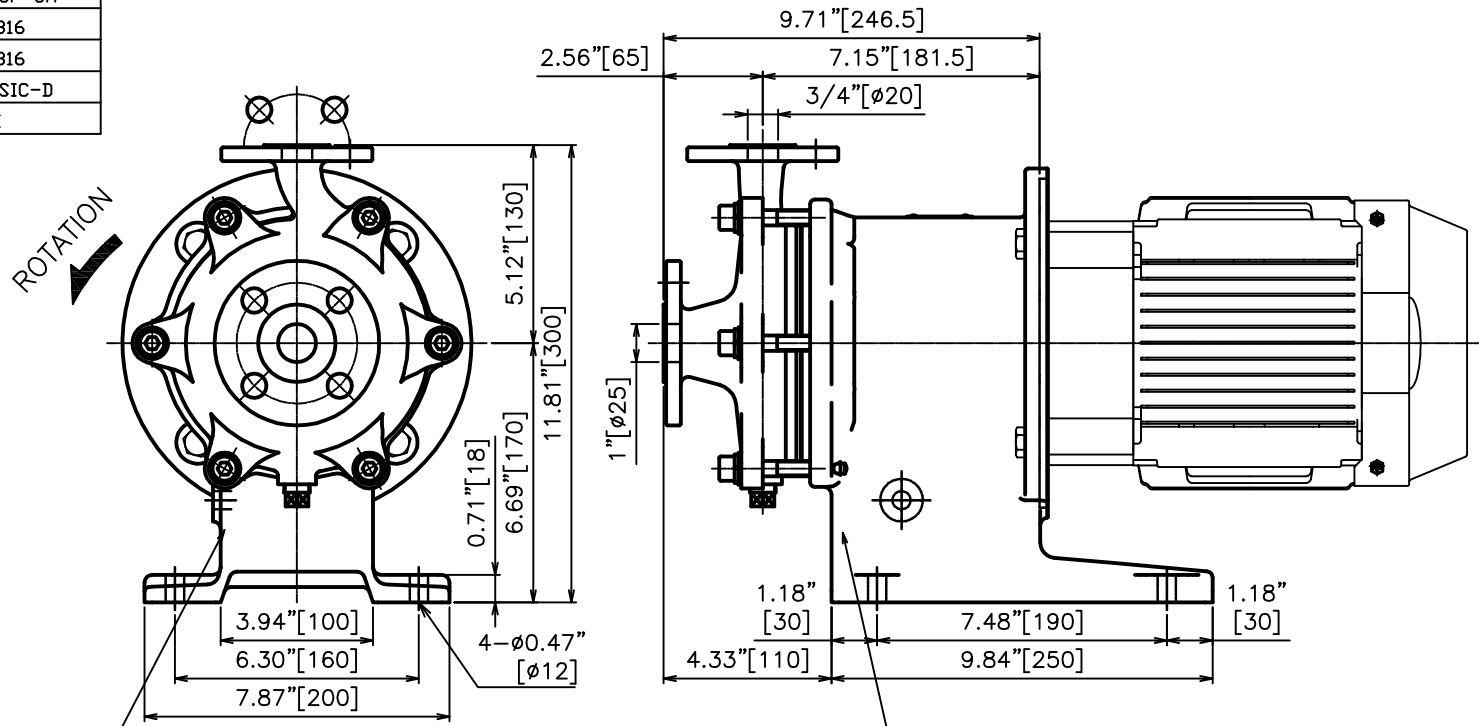


Materials of Construction	
CASING	ACI-CF-8M
REAR CASING	AISI316
IMPELLER	ACI-CF-8M
MAGNET COUPLING	AISI316
SHAFT	AISI316
BEARING	SIC/SIC-D
GASKET	PTFE

REVISIONS			
REV	DESCRIPTION	DATE	APPROVED
A	RELEASED	5/24/2018	CJC



FLANGE DIMENSIONS \* SMOOTH FINISH (mm)

RATING		SIZE(d)	D	t	f	g	C	n	h
ASME 150lb RF	SUCTION	1"	4.25" [108]	0.44" [11.2]	0.06" [1.6]	2.00" [50.8]	3.12" [79.2]	4	0.62" [16]
	DISCHARGE	3/4"	3.88" [99]	0.41" [10.5]	0.06" [1.6]	1.69" [42.9]	2.75" [69.8]	4	0.62" [16]

MOTOR	
FRAME SIZE	OUTPUT (HP)
182TC	3
184TC	5

- NOTES:  
 1. CASING DRAIN; Rc3/8 (PLUG)  
 2. FRAME ADAPTER DRAIN; 1-ø0.47"[ø12] (OPEN)  
 3. DRAWN PER MP221-180-A-XA & MP222-180-A-XA  
 4. SOME FEATURES MAY VARY SLIGHTLY.

<b>PROPRIETARY</b> THIS DRAWING CONTAINS CONFIDENTIAL INFORMATION PROPRIETARY TO IWAKI AMERICA. IT MUST NOT BE REPRODUCED OR FORWARDED TO OTHERS OR USED IN ANY OTHER WAY, IN WHOLE OR IN PART, UNLESS AUTHORIZED IN WRITING BY IWAKI AMERICA.		<b>TOLERANCES</b> DIMENSIONS IN INCHES ØMD UNLESS OTHERWISE NOTED X = .050 .XX = .010 .XXX = .00		 www.lwakiAmerica.com		5 Boynton Rd. Hopping Brook Park Holliston, MA 01746 (508) 429-1440	
MATERIAL		SEE CHART		DEBURR AND BREAK ALL SHARP EDGES			
BY	DATE	SIZE	DWG NO.	DESCRIPTION	REV		
JP	5/24/2018	B	SWD-00103	MP-221, MP222 (3-5 HP)	A		
APPROVED	DATE	SCALE:		THIRD ANGLE PROJECTION	SHEET:	1 OF 1	
CJC	5/24/2018	FULL					