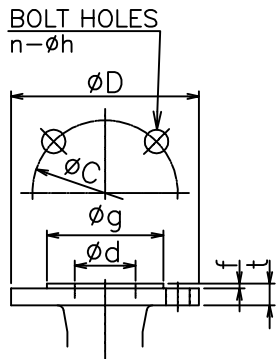
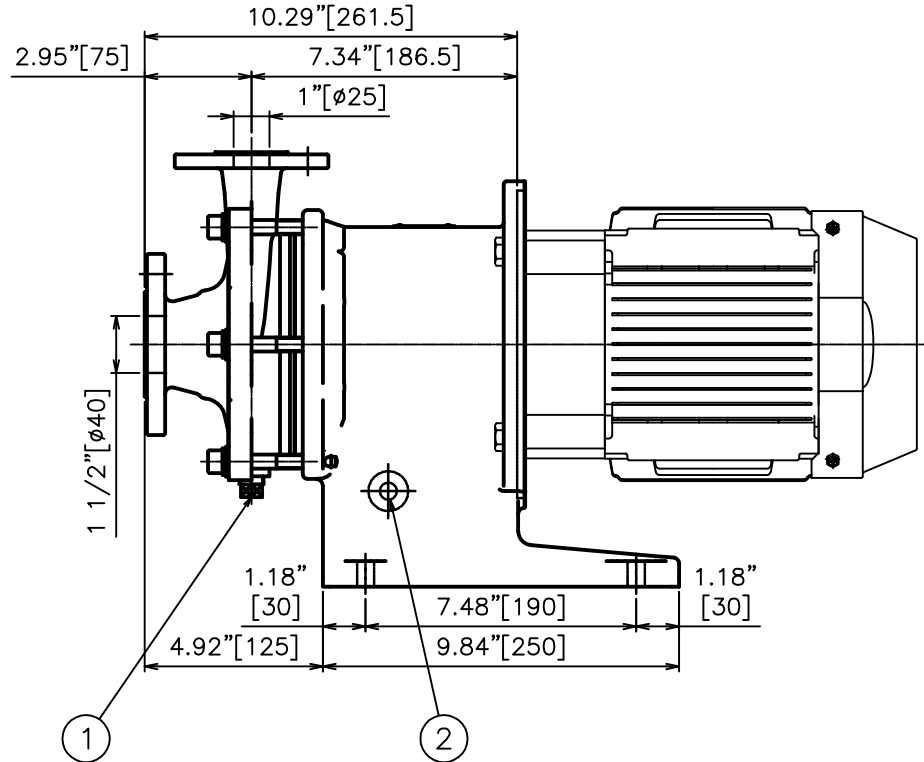
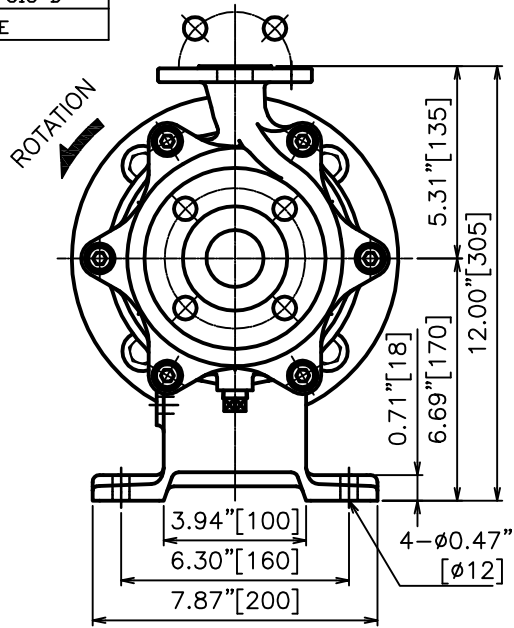


Materials of Construction	
CASING	ACI-CF-8M
REAR CASING	AISI316
IMPELLER	ACI-CF-8M
MAGNET COUPLING	AISI316
SHAFT	AISI316
BEARING	SIC/SIC-D
GASKET	PTFE

REVISIONS			
REV	DESCRIPTION	DATE	APPROVED
A	RELEASED	5/24/2018	CJC



FLANGE DIMENSIONS * SMOOTH FINISH (mm)

RATING		SIZE(d)	D	t	f	g	C	n	h
ASME 150lb RF	SUCTION	1 1/2"	5.00" [127]	0.56" [14.3]	0.06" [1.6]	2.88" [73.2]	3.88" [98.6]	4	0.62" [16]
	DISCHARGE	1"	4.25" [108]	0.44" [11.2]	0.06" [1.6]	2.00" [50.8]	3.12" [79.2]	4	0.62" [16]

MOTOR	
FRAME SIZE	OUTPUT (HP)
182TC	3
184TC	5

- NOTES:
- CASING DRAIN; Rc3/8 (PLUG)
 - FRAME ADAPTER DRAIN; 1- \emptyset 0.47" [\emptyset 12] (OPEN)
 - DRAWN PER MP420-180-A-XA & MP421-180-A-XA
 - SOME FEATURES MAY VARY SLIGHTLY.

PROPRIETARY THIS DRAWING CONTAINS CONFIDENTIAL INFORMATION PROPRIETARY TO IWAKI AMERICA. IT MUST NOT BE REPRODUCED OR FORWARDED TO OTHERS OR USED IN ANY OTHER WAY, IN WHOLE OR IN PART, UNLESS AUTHORIZED IN WRITING BY IWAKI AMERICA.		TOLERANCES DIMENSIONS IN INCHES \emptyset WD UNLESS OTHERWISE NOTED X = .050 .XX = .010 .XXX = .005 DEBURR AND BREAK ALL SHARP EDGES		 www.iwakiAmerica.com 5 Boynton Rd. Hopping Brook Park Holliston, MA 01746 (508) 429-1440	
MATERIAL		BY		DATE	
SEE CHART		JP		5/24/2018	
APPROVED		DATE		SCALE: FULL	
CJC		5/24/2018		DWG NO. SWD-00105 DESCRIPTION MP-420, MP421 (3-5 HP) REV A	
THIRD ANGLE PROJECTION		SHEET: 1 OF 1			