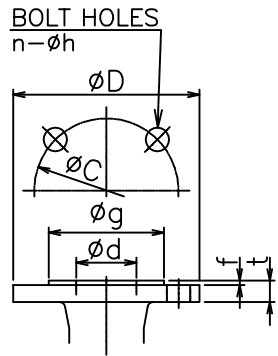
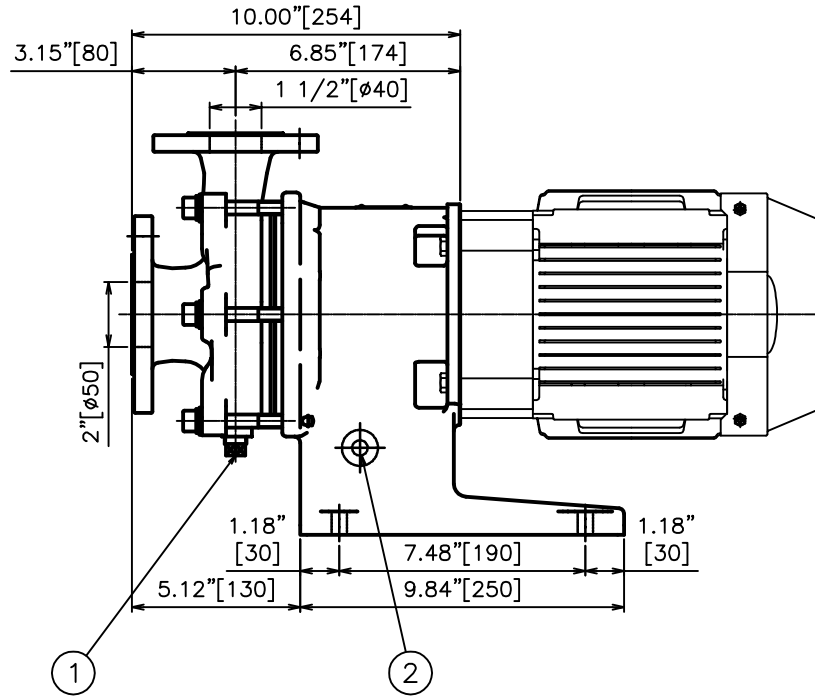
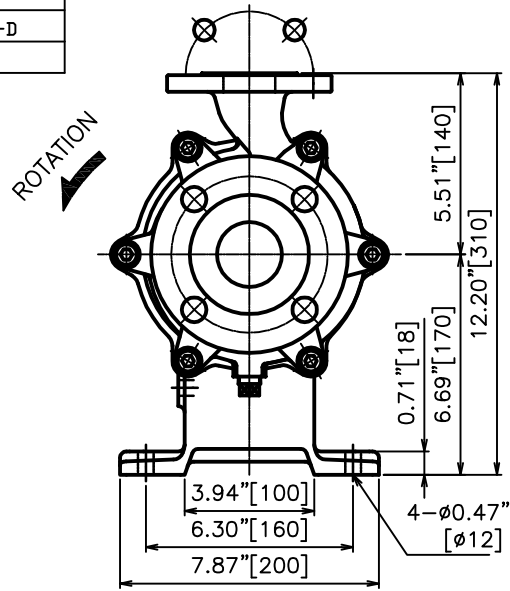


| Materials of Construction |           |
|---------------------------|-----------|
| CASING                    | ACI-CF-8M |
| REAR CASING               | AISI316   |
| IMPELLER                  | ACI-CF-8M |
| MAGNET COUPLING           | AISI316   |
| SHAFT                     | AISI316   |
| BEARING                   | SIC/SIC-D |
| GASKET                    | PTFE      |

| REVISIONS |             |           |          |
|-----------|-------------|-----------|----------|
| REV       | DESCRIPTION | DATE      | APPROVED |
| A         | RELEASED    | 5/24/2018 | CJC      |



FLANGE DIMENSIONS \* SMOOTH FINISH (mm)

| RATING        |           | SIZE(d) | D              | t               | f              | g               | C                | n | h             |
|---------------|-----------|---------|----------------|-----------------|----------------|-----------------|------------------|---|---------------|
| ASME 150lb RF | SUCTION   | 2"      | 6.00"<br>[152] | 0.62"<br>[15.8] | 0.06"<br>[1.6] | 3.62"<br>[91.9] | 4.75"<br>[120.6] | 4 | 0.75"<br>[19] |
|               | DISCHARGE | 1 1/2"  | 5.00"<br>[127] | 0.56"<br>[14.3] | 0.06"<br>[1.6] | 2.88"<br>[73.2] | 3.88"<br>[98.6]  | 4 | 0.62"<br>[16] |

| MOTOR          |             |
|----------------|-------------|
| FRAME SIZE     | OUTPUT (HP) |
| 56C            | 1           |
| 143TC<br>145TC | 2           |

- NOTES:  
 1. CASING DRAIN; Rc3/8 (PLUG)  
 2. FRAME ADAPTER DRAIN; 1-0.47" [12] (OPEN)  
 3. DRAWN PER MP541-140-A-XA  
 4. SOME FEATURES MAY VARY SLIGHTLY.

|   |           |   |           |                          |     |  |  |
|---|-----------|---|-----------|--------------------------|-----|--|--|
| <b>PROPRIETARY</b><br>THIS DRAWING CONTAINS CONFIDENTIAL INFORMATION PROPRIETARY TO IWAKI AMERICA. IT MUST NOT BE REPRODUCED OR FORWARDED TO OTHERS OR USED IN ANY OTHER WAY, IN WHOLE OR IN PART, UNLESS AUTHORIZED IN WRITING BY IWAKI AMERICA. |           | <b>TOLERANCES</b><br>DIMENSIONS IN INCHES OMD<br>UNLESS OTHERWISE NOTED<br>X = .050<br>.XX = .010<br>.XXX = .00 |           | <br>www.iwakiAmerica.com |     | 5 Boynton Rd.<br>Hopping Brook Park<br>Holliston, MA 01746<br>(508) 429-1440 |  |
| MATERIAL  |           | DEBURR AND BREAK ALL SHARP EDGES  |           | SCALE: FULL              |     | THIRD ANGLE PROJECTION   |  |
| BY  | DATE      | SIZE  | DWG NO.   | DESCRIPTION              | REV |  |  |
| JP  | 5/24/2018 | B   | SWD-00106 | MP541 (1-2 HP)           | A   |  |  |
| APPROVED  | DATE      | SCALE: FULL   |           | SHEET: 1 OF 1            |     |  |  |
| CJC   | 5/24/2018 |   |           |                          |     |  |  |