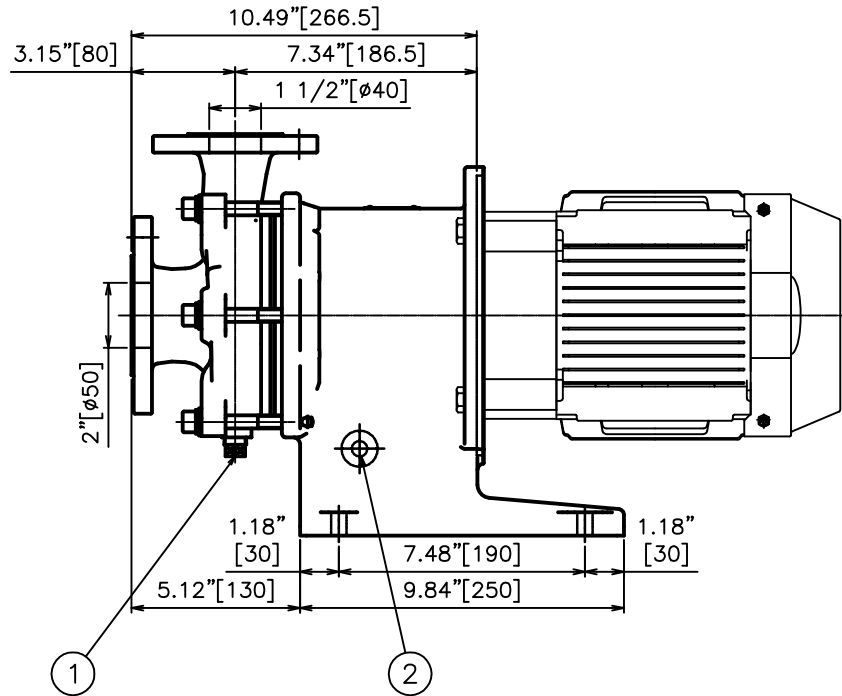
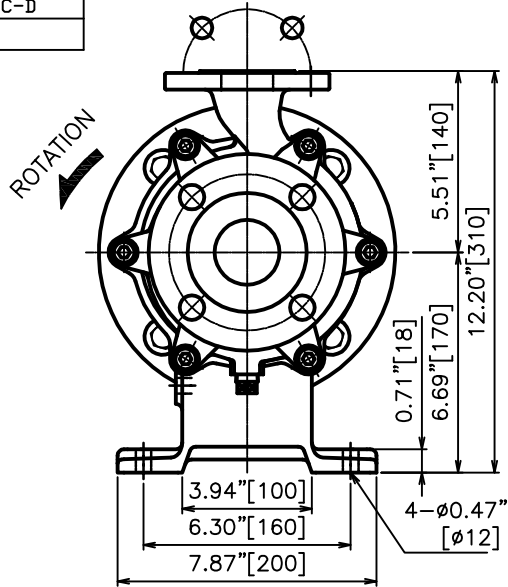


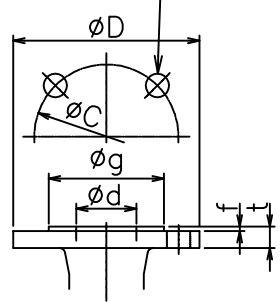
**Materials of Construction**

CASING	ACI-CF-8M
REAR CASING	AISI316
IMPELLER	ACI-CF-8M
MAGNET COUPLING	AISI316
SHAFT	AISI316
BEARING	SIC/SIC-D
GASKET	PTFE

REVISIONS			
REV	DESCRIPTION	DATE	APPROVED
A	RELEASED	5/24/2018	CJC



BOLT HOLES  
n- $\phi$ h




FLANGE DIMENSIONS \* SMOOTH FINISH (mm)

RATING	SIZE(d)	D	t	f	g	C	n	h
ASME 150lb RF	SUCTION	2"	6.00" [152]	0.62" [15.8]	0.06" [1.6]	3.62" [91.9]	4.75" [120.6]	4 0.75" [19]
	DISCHARGE	1 1/2"	5.00" [127]	0.56" [14.3]	0.06" [1.6]	2.88" [73.2]	3.88" [98.6]	4 0.62" [16]

MOTOR	
FRAME SIZE	OUTPUT (HP)
182TC	3
184TC	5

- NOTES:  
 1. CASING DRAIN; Rc3/8 (PLUG)  
 2. FRAME ADAPTER DRAIN; 1- $\phi$ 0.47" [ $\phi$ 12] (OPEN)  
 3. DRAWN PER MP541-180-A-XA  
 4. SOME FEATURES MAY VARY SLIGHTLY.

<p><b>PROPRIETARY</b>                  THIS DRAWING CONTAINS CONFIDENTIAL INFORMATION PROPRIETARY TO IWAKI AMERICA. IT MUST NOT BE REPRODUCED OR FORWARDED TO OTHERS OR USED IN ANY OTHER WAY, IN WHOLE OR IN PART, UNLESS AUTHORIZED IN WRITING BY IWAKI AMERICA.</p>		<p><b>TOLERANCES</b>                  DIMENSIONS IN INCHES OMD                  UNLESS OTHERWISE NOTED                  X = .050                  .XX = .010                  .XXX = .00</p>		<p><b>IWAKI</b>   <b>SANWA</b>                  www.iwakiAmerica.com</p>		<p>5 Boynton Rd.                  Hopping Brook Park                  Holliston, MA 01746                  (508) 429-1440</p>	
<p>MATERIAL SEE CHART</p>		<p>DEBURR AND BREAK ALL SHARP EDGES</p>		<p>DESCRIPTION MP541 (3-5 HP)</p>		<p>REV A</p>	
<p>BY JP</p>	<p>DATE 5/24/2018</p>	<p>SIZE B</p>	<p>DWG NO. SWD-00107</p>	<p>SCALE: FULL</p>		<p>THIRD ANGLE PROJECTION</p>	
<p>APPROVED CJC</p>	<p>DATE 5/24/2018</p>	<p>SHEET: 1 OF 1</p>					