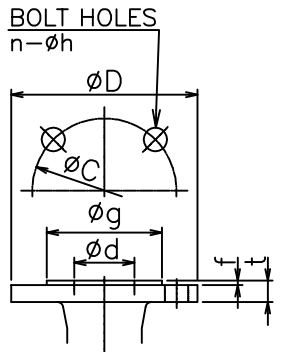
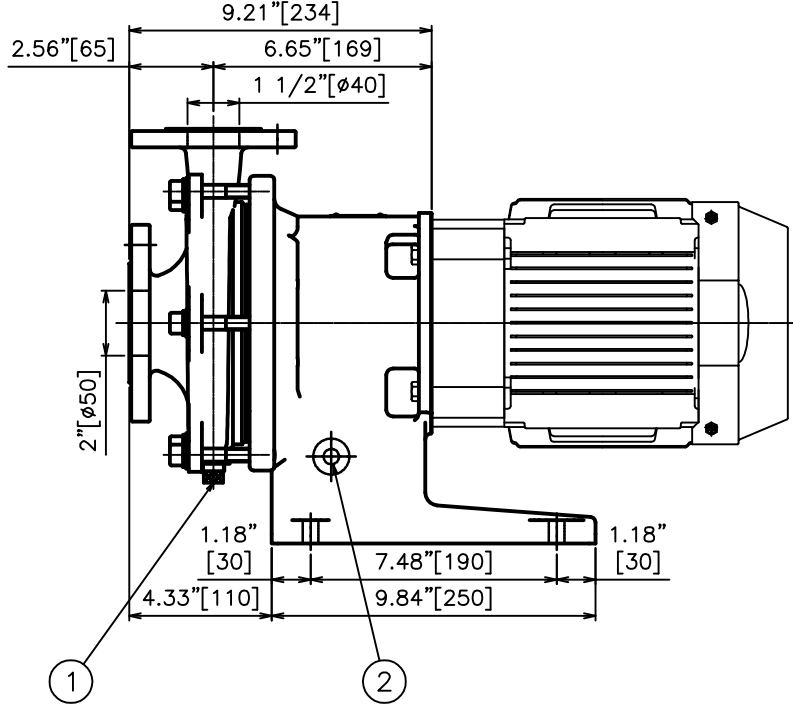
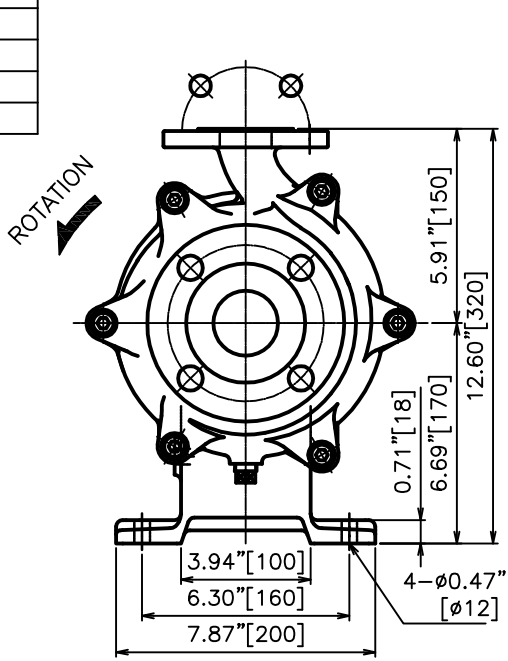


Materials of Construction	
CASING	ACI-CF-8M
REAR CASING	AISI316
IMPELLER	ACI-CF-8M
MAGNET COUPLING	AISI316
SHAFT	AISI316
BEARING	SIC/SIC-D
GASKET	PTFE

REVISIONS			
REV	DESCRIPTION	DATE	APPROVED
A	RELEASED	5/24/2018	CJC



FLANGE DIMENSIONS * SMOOTH FINISH (mm)

RATING		SIZE(d)	D	t	f	g	C	n	h
ASME 150lb RF	SUCTION	2"	6.00" [152]	0.62" [15.8]	0.06" [1.6]	3.62" [91.9]	4.75" [120.6]	4	0.75" [19]
	DISCHARGE	1 1/2"	5.00" [127]	0.56" [14.3]	0.06" [1.6]	2.88" [73.2]	3.88" [98.6]	4	0.62" [16]

MOTOR	
FRAME SIZE	OUTPUT (HP)
56C	1
143TC 145TC	2

- NOTES:
 1. CASING DRAIN; Rc3/8 (PLUG)
 2. FRAME ADAPTER DRAIN; 1- ϕ 0.47" [ϕ 12] (OPEN)
 3. DRAWN PER MP542-140-A-XA
 4. SOME FEATURES MAY VARY SLIGHTLY.

PROPRIETARY THIS DRAWING CONTAINS CONFIDENTIAL INFORMATION PROPRIETARY TO IWAKI AMERICA. IT MUST NOT BE REPRODUCED OR FORWARDED TO OTHERS OR USED IN ANY OTHER WAY, IN WHOLE OR IN PART, UNLESS AUTHORIZED IN WRITING BY IWAKI AMERICA.		TOLERANCES DIMENSIONS IN INCHES OMD UNLESS OTHERWISE NOTED X = .050 .XX = .010 .XXX = .00		 5 Boynton Rd. Hopping Brook Park Holliston, MA 01746 (508) 429-1440 www.lwakiAmerica.com	
MATERIAL: SEE CHART		DEBURR AND BREAK ALL SHARP EDGES		www.lwakiAmerica.com	
BY: JP	DATE: 5/24/2018	SIZE: B	DWG NO.: SWD-00108	DESCRIPTION: MP542 (1-2 HP)	REV: A
APPROVED: CJC	DATE: 5/24/2018	SCALE: FULL	THIRD ANGLE PROJECTION	SHEET: 1 OF 1	