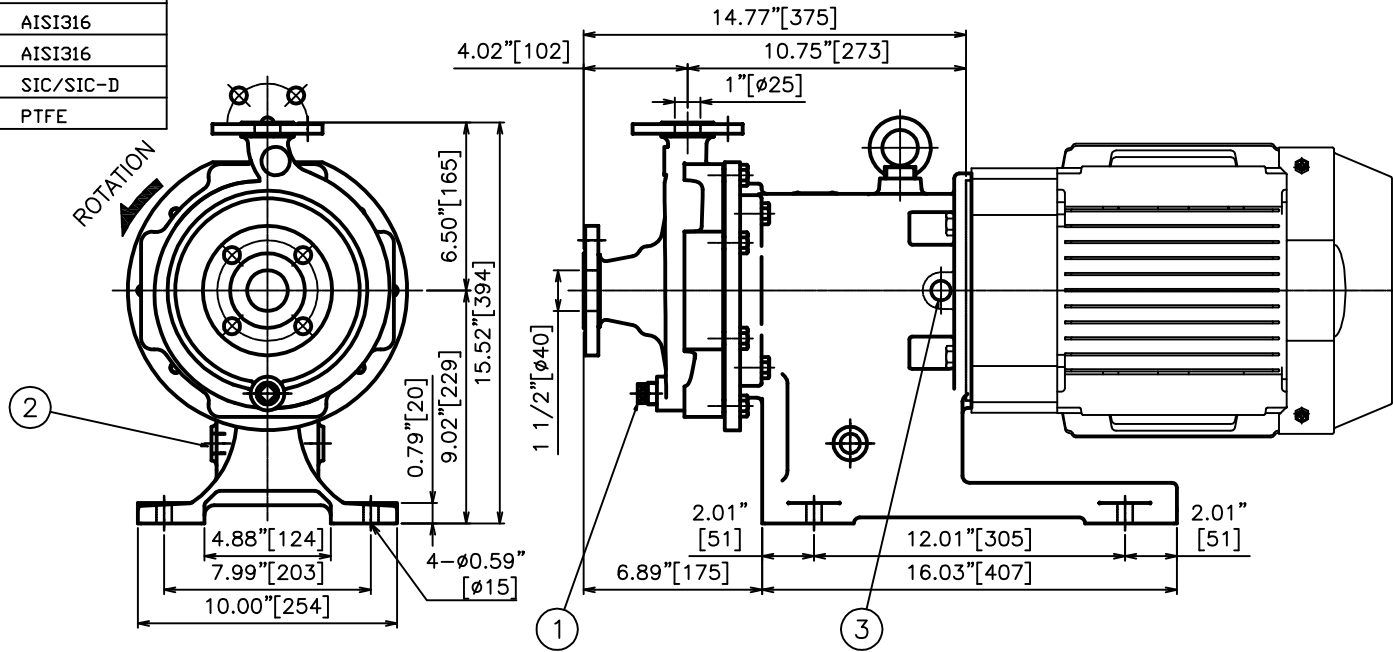
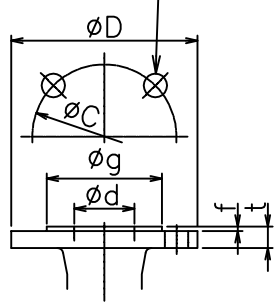


Materials of Construction	
CASING	ACI-CF-8M
REAR CASING	AISI316
IMPELLER	ACI-CF-8M
MAGNET COUPLING	AISI316
SHAFT	AISI316
BEARING	SIC/SIC-D
GASKET	PTFE

REVISIONS			
REV	DESCRIPTION	DATE	APPROVED
A	RELEASED	5/24/2018	CJC



BOLT HOLES
n-øh



FLANGE DIMENSIONS * SMOOTH FINISH (mm)

RATING		SIZE(d)	D	t	f	g	C	n	h
ASME 150lb RF	SUCTION	1 1/2"	5.00" [127]	0.56" [14.3]	0.06" [1.6]	2.88" [73.2]	3.88" [98.6]	4 4	0.62" [16]
	DISCHARGE	1"	4.25" [108]	0.44" [11.2]	0.06" [1.6]	2.00" [50.8]	3.12" [79.2]	4 4	0.62" [16]

MOTOR	
FRAME SIZE	OUTPUT (HP)
182TC 184TC	5
213TC	7 1/2
215TC	10
254TC	15
256TC	20

NOTES:

- CASING DRAIN ; NPT1/2 (PLUG)
- FRAME ADAPTER DRAIN ; NPT1/2 (OPEN)
- CONNECTION ; NPT1/2 (PLUG)
- DRAWN PER MP4220-180-A-XA; MP4220-210-A-XA; MP4220-250-A-XA; MP4220LF-180-A-XA; MP4220LF-210-A-XA; MP4220LF-250-A-XA
- SOME FEATURES MAY VARY SLIGHTLY.

PROPRIETARY THIS DRAWING CONTAINS CONFIDENTIAL INFORMATION PROPRIETARY TO IWAKI AMERICA. IT MUST NOT BE REPRODUCED OR FORWARDED TO OTHERS OR USED IN ANY OTHER WAY, IN WHOLE OR IN PART, UNLESS AUTHORIZED IN WRITING BY IWAKI AMERICA.		TOLERANCES DIMENSIONS IN INCHES ØM0 UNLESS OTHERWISE NOTED X = .050 .XX = .010 .XXX = .00		 www.lwakiAmerica.com		5 Boynton Rd. Hopping Brook Park Holliston, MA 01746 (508) 429-1440	
MATERIAL		SEE CHART		DEBURR AND BREAK ALL SHARP EDGES		DESCRIPTION MP4220, MP4220LF (5-20 HP)	
BY	DATE	SIZE	DWG NO.	SCALE:	THIRD ANGLE PROJECTION	SHEET:	REV
JP	5/24/2018	B	SWD-00110	FULL	THIRD ANGLE PROJECTION	1 OF 1	A
APPROVED	DATE						
CJC	5/24/2018						