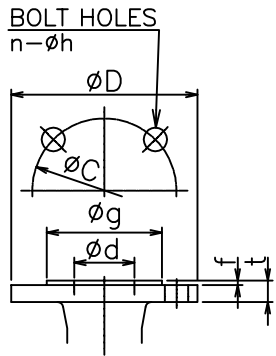
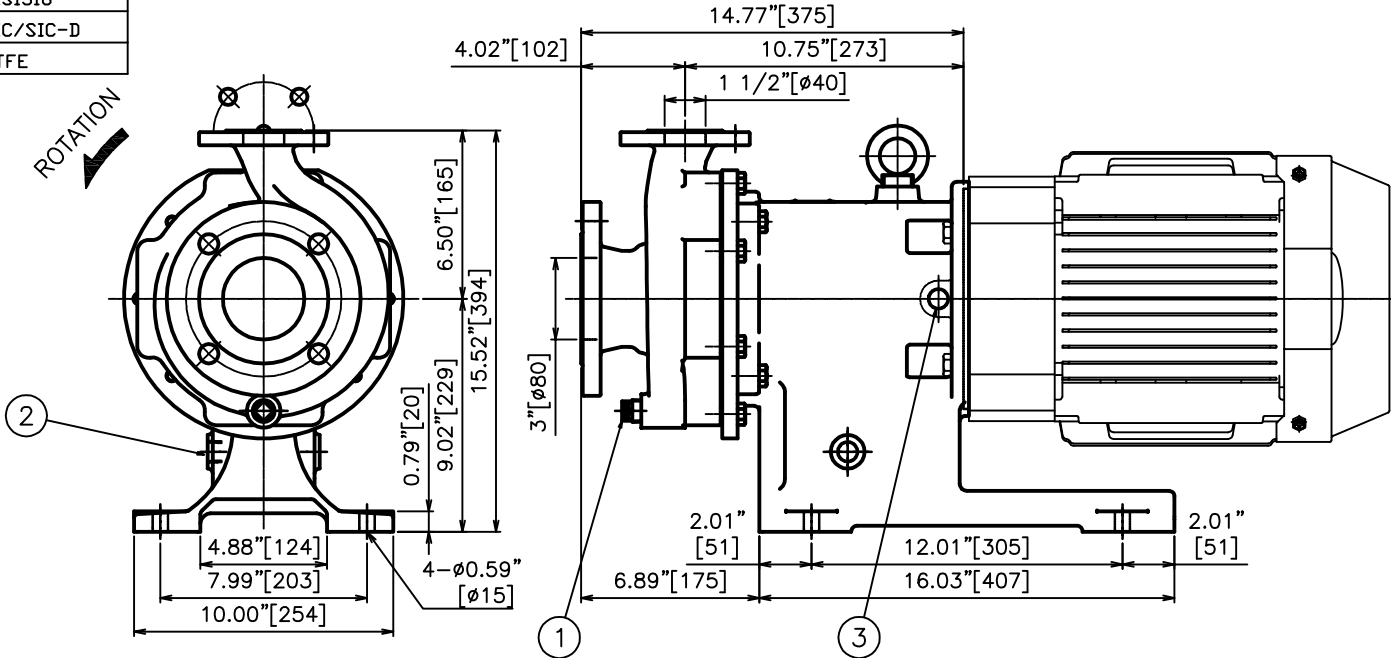


REVISIONS			
REV	DESCRIPTION	DATE	APPROVED
A	RELEASED	5/24/2018	CJC

Materials of Construction	
CASING	ACI-CF-8M
REAR CASING	AISI316
IMPELLER	ACI-CF-8M
MAGNET COUPLING	AISI316
SHAFT	AISI316
BEARING	SIC/SIC-D
GASKET	PTFE



FLANGE DIMENSIONS \* SMOOTH FINISH (mm)

RATING		SIZE(d)	D	t	f	g	C	n	h
ASME 150lb RF	SUCTION	3"	7.50" [190]	0.75" [19.1]	0.06" [1.6]	5.00" [127]	6.00" [152.4]	4	0.75" [19]
	DISCHARGE	1 1/2"	5.00" [127]	0.56" [14.3]	0.06" [1.6]	2.88" [73.2]	3.88" [98.6]	4	0.62" [16]

MOTOR	
FRAME SIZE	OUTPUT (HP)
182TC 184TC	5
213TC	7 1/2
215TC	10
254TC	15
256TC	20

- NOTES:
- CASING DRAIN ; NPT1/2 (PLUG)
  - FRAME ADAPTER DRAIN ; NPT1/2 (OPEN)
  - CONNECTION ; NPT1/2 (PLUG)
  - DRAWN PER MP8415-180-A-XA; MP8415-210-A-XA; MP8415-250-A-XA
  - SOME FEATURES MAY VARY SLIGHTLY.

<b>PROPRIETARY</b> THIS DRAWING CONTAINS CONFIDENTIAL INFORMATION PROPRIETARY TO IWAKI AMERICA. IT MUST NOT BE REPRODUCED OR FORWARDED TO OTHERS OR USED IN ANY OTHER WAY, IN WHOLE OR IN PART, UNLESS AUTHORIZED IN WRITING BY IWAKI AMERICA.		<b>TOLERANCES</b> DIMENSIONS IN INCHES 0.00 UNLESS OTHERWISE NOTED X = .050 .XX = .010 .XXX = .00		 www.lwakiAmerica.com		5 Boynton Rd. Hopping Brook Park Holliston, MA 01746 (508) 429-1440	
MATERIAL		DEBURR AND BREAK ALL SHARP EDGES		DESCRIPTION		REV	
SEE CHART		SCALE: FULL		MP8415 (5-20 HP)		A	
BY: JP	DATE: 5/24/2018	SIZE: B	DWG NO.: SWD-00112	THIRD ANGLE PROJECTION	SHEET: 1 OF 1		
APPROVED: CJC	DATE: 5/24/2018						