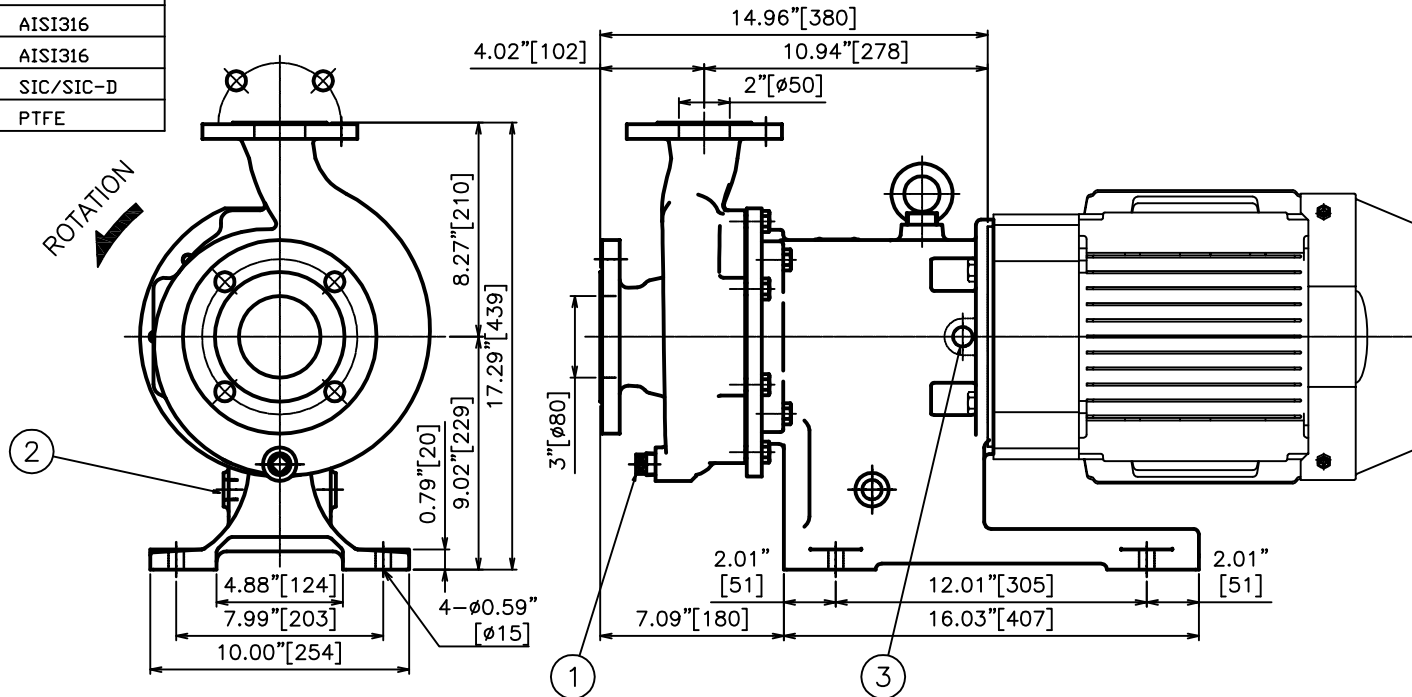


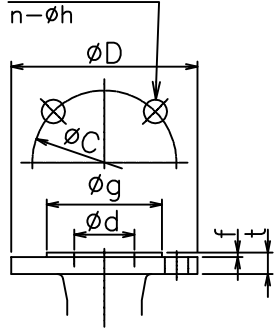
**Materials of Construction**

CASING	ACI-CF-8M
REAR CASING	AISI316
IMPELLER	ACI-CF-8M
MAGNET COUPLING	AISI316
SHAFT	AISI316
BEARING	SIC/SIC-D
GASKET	PTFE

REVISIONS			
REV	DESCRIPTION	DATE	APPROVED
A	RELEASED	5/24/2018	CJC



**BOLT HOLES**



**FLANGE DIMENSIONS \* SMOOTH FINISH (mm)**

RATING		SIZE(d)	D	t	f	g	C	n	h
ASME 150lb RF	SUCTION	3"	7.50" [190]	0.75" [19.1]	0.06" [1.6]	5.00" [127]	6.00" [152.4]	4	0.75" [19]
	DISCHARGE	2"	6.00" [152]	0.62" [15.8]	0.06" [1.6]	3.62" [91.9]	4.75" [120.6]	4	0.75" [19]

MOTOR	
FRAME SIZE	OUTPUT (HP)
182TC	5
184TC	5
213TC	7 1/2
215TC	10
254TC	15
256TC	20

**NOTES:**

1. CASING DRAIN ; NPT1/2 (PLUG)
2. FRAME ADAPTER DRAIN ; NPT1/2 (OPEN)
3. CONNECTION ; NPT1/2 (PLUG)
4. DRAWN PER MP8515-180-A-XA; MP8515-210-A-XA; MP8515-250-A-XA
5. SOME FEATURES MAY VARY SLIGHTLY.

<p><b>PROPRIETARY</b> THIS DRAWING CONTAINS CONFIDENTIAL INFORMATION PROPRIETARY TO IWAKI AMERICA. IT MUST NOT BE REPRODUCED OR FORWARDED TO OTHERS OR USED IN ANY OTHER WAY, IN WHOLE OR IN PART, UNLESS AUTHORIZED IN WRITING BY IWAKI AMERICA.</p>		<p><b>TOLERANCES</b> DIMENSIONS IN INCHES ØM0 UNLESS OTHERWISE NOTED X = .050 .XX = .010 .XXX = .00</p>		<p><b>5 Boynton Rd.</b> <b>Hopping Brook Park</b> <b>Holliston, MA 01746</b> <b>(508) 429-1440</b></p>	
<p><b>MATERIAL</b> SEE CHART</p>		<p>DEBURR AND BREAK ALL SHARP EDGES</p>		<p><b>www.lwakiAmerica.com</b></p>	
<p>BY JP</p>	<p>DATE 5/24/2018</p>	<p>SIZE B</p>	<p>DWG NO. SWD-00114</p>	<p>DESCRIPTION MP8515 (5-20 HP)</p>	<p>REV A</p>
<p>APPROVED CJC</p>	<p>DATE 5/24/2018</p>	<p>SCALE: FULL</p>	<p>THIRD ANGLE PROJECTION</p>	<p>SHEET: 1 OF 1</p>	