

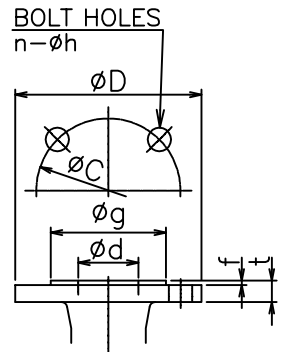
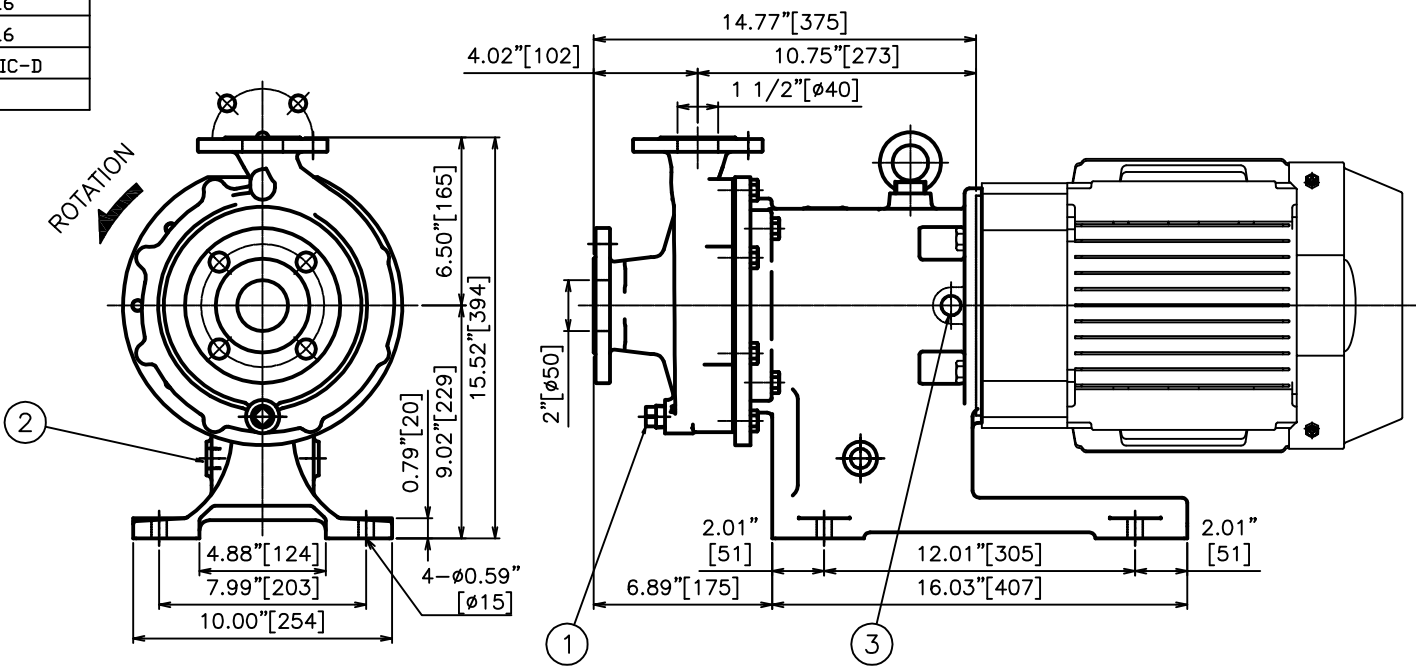
Materials of Construction

CASING	ACI-CF-8M
REAR CASING	AISI316
IMPELLER	ACI-CF-8M
MAGNET COUPLING	AISI316
SHAFT	AISI316
BEARING	SIC/SIC-D
GASKET	PTFE

REVISIONS			
REV	DESCRIPTION	DATE	APPROVED
A	RELEASED	5/24/2018	CJC

A
B
C
D

A
B
C
D



FLANGE DIMENSIONS * SMOOTH FINISH (mm)

RATING		SIZE(d)	D	t	f	g	C	n	h
ASME 150lb RF	SUCTION	2"	6.00" [152]	0.62" [15.8]	0.06" [1.6]	3.62" [91.9]	4.75" [120.6]	4	0.75" [19]
	DISCHARGE	1 1/2"	5.00" [127]	0.56" [14.3]	0.06" [1.6]	2.88" [73.2]	3.88" [98.6]	4	0.62" [16]

MOTOR	
FRAME SIZE	OUTPUT (HP)
182TC	5
184TC	5
213TC	7 1/2
215TC	10
254TC	15
256TC	20

- NOTES:
 1. CASING DRAIN ; NPT1/2 (PLUG)
 2. FRAME ADAPTER DRAIN ; NPT1/2 (OPEN)
 3. CONNECTION ; NPT1/2 (PLUG)
 4. DRAWN PER MP5430-180-A-XA; MP5430-210-A-XA; MP5430-250-A-XA
 5. SOME FEATURES MAY VARY SLIGHTLY.

PROPRIETARY THIS DRAWING CONTAINS CONFIDENTIAL INFORMATION PROPRIETARY TO IWAKI AMERICA. IT MUST NOT BE REPRODUCED OR FORWARDED TO OTHERS OR USED IN ANY OTHER WAY, IN WHOLE OR IN PART, UNLESS AUTHORIZED IN WRITING BY IWAKI AMERICA.		TOLERANCES DIMENSIONS IN INCHES OMD UNLESS OTHERWISE NOTED X = .050 .XX = .010 .XXX = .005 DEBURR AND BREAK ALL SHARP EDGES		 5 Boynton Rd. Hopping Brook Park Holliston, MA 01746 (508) 429-1440 www.lwakiAmerica.com	
MATERIAL: SEE CHART		BY: JP	DATE: 5/24/2018	SIZE: B	DWG NO.: SWD-00115
APPROVED: CJC	DATE: 5/24/2018	DESCRIPTION: MP5430 (5-20 HP)		REV: A	SCALE: FULL
THIRD ANGLE PROJECTION		SHEET: 1 OF 1			

4 3 2 1