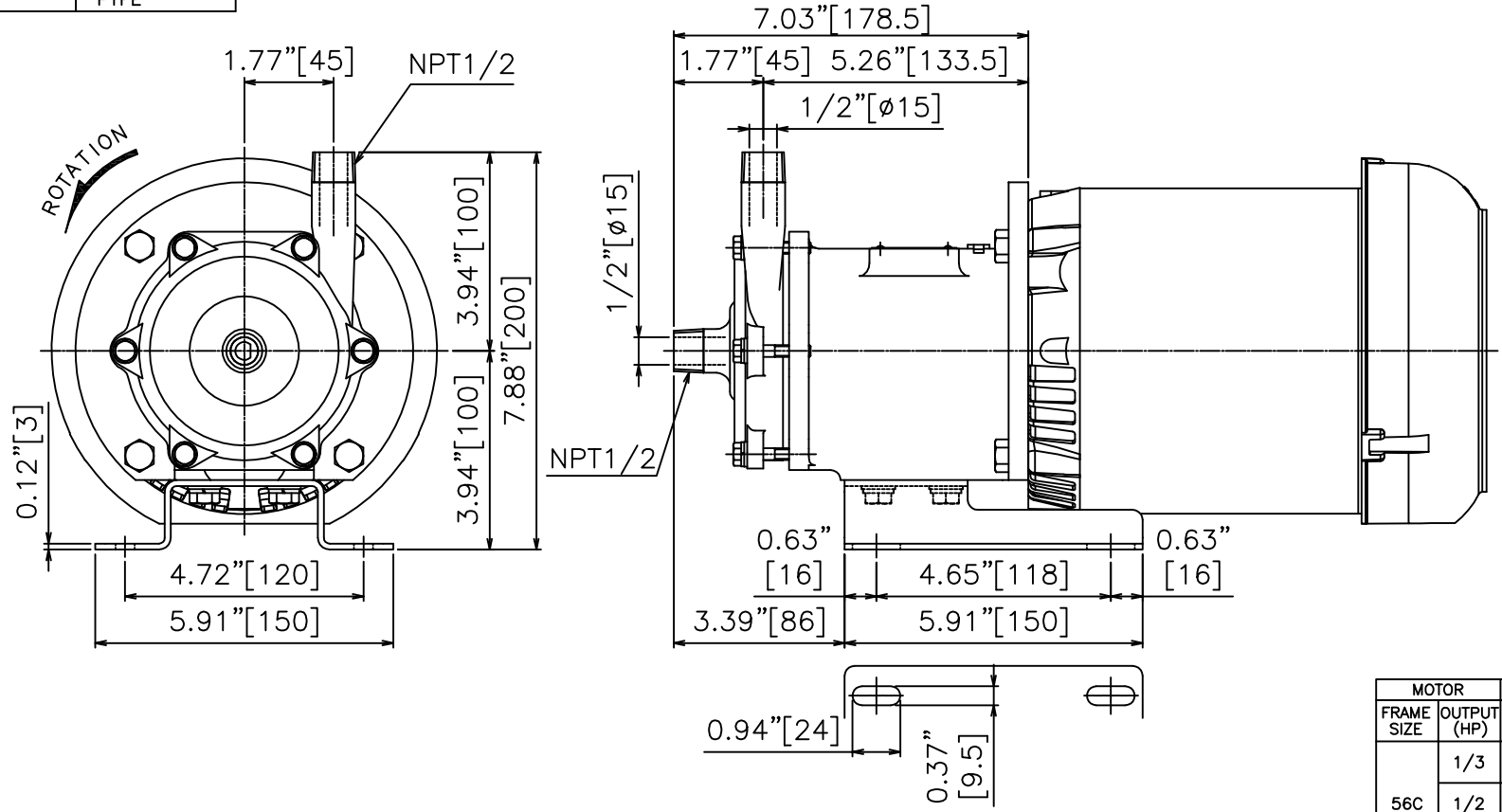


REVISIONS			
REV	DESCRIPTION	DATE	APPROVED
A	RELEASED	6/6/2018	CJC

Materials of Construction	
CASING	ACI-CF-8M
REAR CASING	AISI316
IMPELLER	ACI-CF-8M
MAGNET COUPLING	AISI316
SHAFT	SIC
BEARING	SIC/SIC-D
GASKET	PTFE



FRAME SIZE	MOTOR		PUMP	
	OUTPUT (HP)	CODE	OUTPUT (HP)	CODE
56C	1/3	MMP11-*N03NN		
	1/2	MMP11-*N05NN		
	3/4	MMP11-*N07NN		

NOTES:  
 1. DRAWN PER MMP11-56C-N-XA  
 2. SOME FEATURES MAY VARY SLIGHTLY.

<b>PROPRIETARY</b> THIS DRAWING CONTAINS CONFIDENTIAL INFORMATION PROPRIETARY TO IWAKI AMERICA. IT MUST NOT BE REPRODUCED OR FORWARDED TO OTHERS OR USED IN ANY OTHER WAY, IN WHOLE OR IN PART, UNLESS AUTHORIZED IN WRITING BY IWAKI AMERICA.		<b>TOLERANCES</b> DIMENSIONS IN INCHES OMD UNLESS OTHERWISE NOTED X = .050 .XX = .010 .XXX = .00 DEBURR AND BREAK ALL SHARP EDGES		 www.iwakiAmerica.com		5 Boynton Rd. Hopping Brook Park Holliston, MA 01746 (508) 429-1440	
MATERIAL: SEE CHART		BY: JP	DATE: 6/6/2018	SIZE: B	DWG NO.: SWD-00116	DESCRIPTION: MMP11 (1/3 - 3/4 HP)	REV: A
APPROVED: CJC		DATE: 6/6/2018		SCALE: FULL	THIRD ANGLE PROJECTION	SHEET: 1 OF 1	