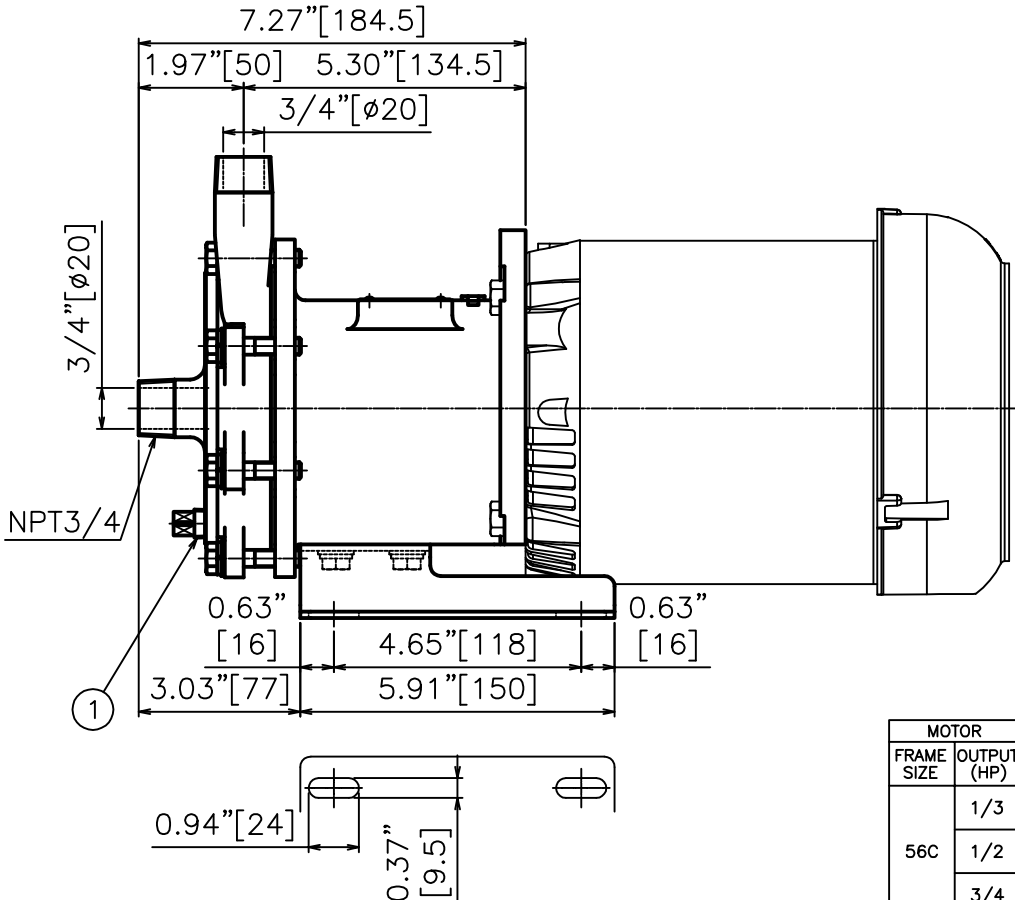
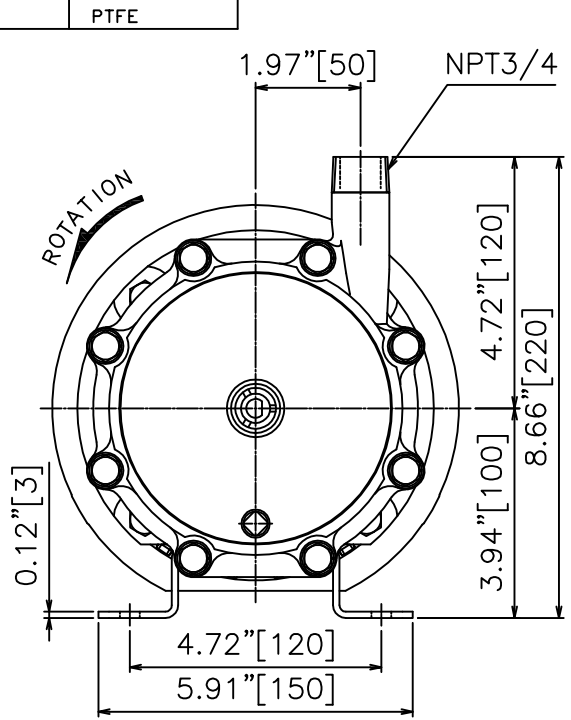


Materials of Construction

CASING	ACI-CF-8M
REAR CASING	AISI316
IMPELLER	ACI-CF-8M
MAGNET COUPLING	AISI316
SHAFT	SIC
BEARING	SIC/SIC-D
GASKET	PTFE

REVISIONS			
REV	DESCRIPTION	DATE	APPROVED
A	RELEASED	6/6/2018	CJC



FRAME SIZE	MOTOR		PUMP	
	OUTPUT (HP)	CODE	OUTPUT (HP)	CODE
56C	1/3	MMP21-*N03NN	1/3	MMP21-*N03NH
	1/2	MMP21-*N05NN	1/2	MMP21-*N05NH
	3/4	MMP21-*N07NN	3/4	MMP21-*N07NH

- NOTES:
 1. CASING DRAIN; NPT1/4 (PLUG)
 2. DRAWN PER MMP21-56C-N-XA
 3. SOME FEATURES MAY VARY SLIGHTLY.

<p>PROPRIETARY THIS DRAWING CONTAINS CONFIDENTIAL INFORMATION PROPRIETARY TO IWAKI AMERICA. IT MUST NOT BE REPRODUCED OR FORWARDED TO OTHERS OR USED IN ANY OTHER WAY, IN WHOLE OR IN PART, UNLESS AUTHORIZED IN WRITING BY IWAKI AMERICA.</p>		<p>TOLERANCES DIMENSIONS IN INCHES ØM0 UNLESS OTHERWISE NOTED X = .050 .XX = .010 .XXX = .00</p>		<p>IWAKI SANWA PUMP www.lwakiAmerica.com</p>		<p>5 Boynton Rd. Hopping Brook Park Holliston, MA 01746 (508) 429-1440</p>	
MATERIAL: SEE CHART		DEBURR AND BREAK ALL SHARP EDGES		www.lwakiAmerica.com			
BY: JP	DATE: 6/6/2018	SIZE: B	DWG NO.: SWD-00117	DESCRIPTION: MMP21 (1/3 - 3/4 HP)		REV: A	
APPROVED: CJC	DATE: 6/6/2018	SCALE: FULL	THIRD ANGLE PROJECTION	SHEET: 1 OF 1			