

High precision fixed dosing pump optimized for dialysis machines

Typical applications: Delivery of A and B dialysates and liquid removal

High-temperature capability

Can be cleaned with water as hot as 95°C.

Variable discharge

Discharge rate of 0.1 or 0.2 milliliters per shot can be selected by adjusting the angle setting on the pump head. (Configurable at time of order)

Rotation sensor

With an integrated rotation sensor, the pump quickly detects errors and easily monitors discharge rates.

High torque motor

The V-07AFP06 is equipped with a bipolar stepper motor. The motor generates approximately twice the torque output, with the same electric current, than the conventional unipolar motor. This eliminates problems such as plunger lock.

Cleaning port

The cleaning port prevents seizing of the plunger. The plunger surface is kept clean at all times, allowing it to operate freely whenever needed.



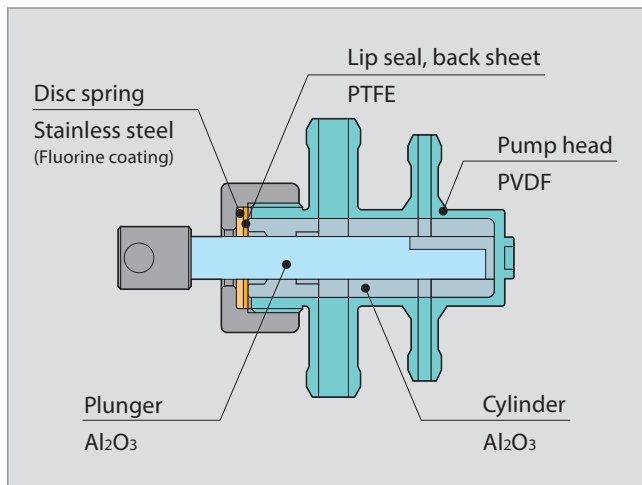
Pump Specifications

Model	V - 07 A F P 06 - P	
	01	02
1 shot flow	0.1 mL	0.2 mL
Flow rate	0.5 to 30 mL/min	1 to 60 mL/min
Stroke rate	5 to 300 rpm	
Precision dosing	±1 % ^{Note 1}	
Max. discharge pressure	200 kPa	
Liquid temperature	10 to 40 °C	
Temperature for hot water cleaning	Max. 95 °C (do not clean for more than 30 minutes at a time)	
Atmosphere temperature	0 to 50 °C ^{Note 2}	
Weight	700 g	
Dimensions	143 mm × 78.5 mm × 77 mm	
Motor	2-phase bipolar stepper motor	
Power voltage range	24 VDC	

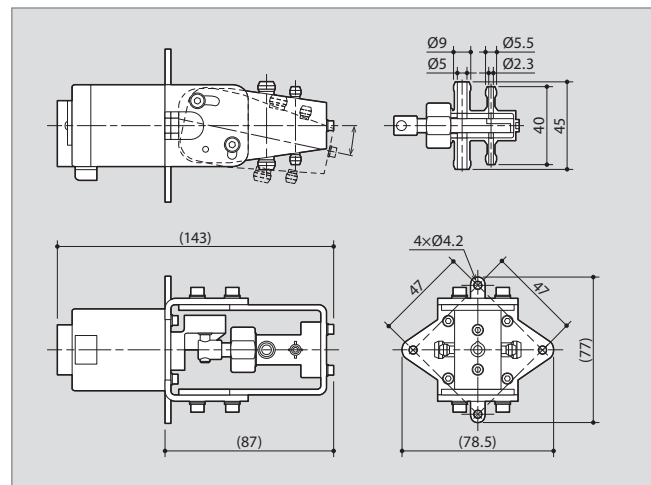
Note 1: Operated under the following conditions: 100 rpm speed, 10 shots and no pressure.

Note 2: 0 to 60°C during cleaning

Wet end materials



Dimensions in mm



Mounting directions

